

ROBUST: The name speaks for itself.

Very compact design with enormous power. Thanks to the efficient sound insulation it is very quiet, can be installed in all orientations and is virtually indestructible even under extreme conditions and continuous operation.

High pressure blower

ROBUST

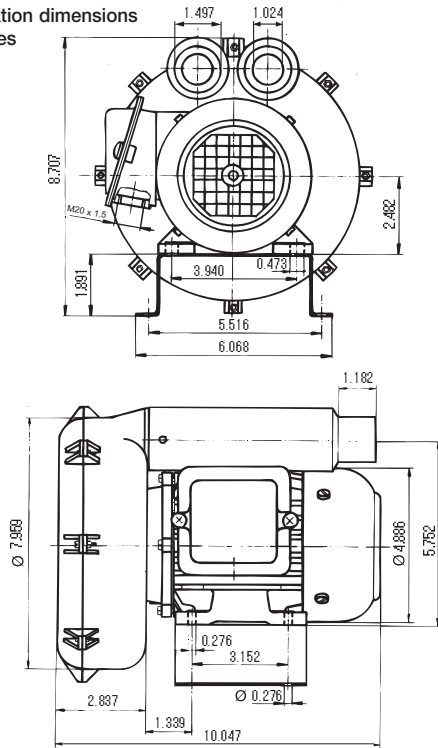


Technical Data ROBUST

Design: regenerative blower

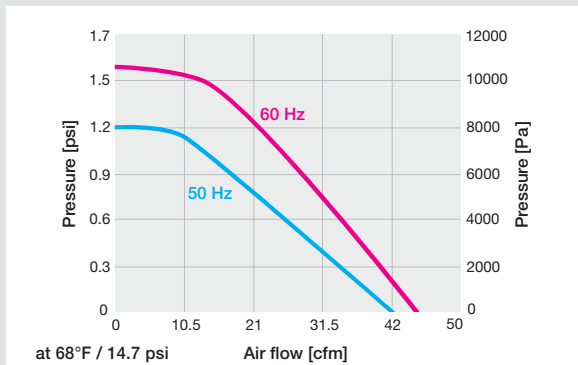
Frequency	Hz	50	60
Air flow (68 °F)	cfm	42	46
Static pressure	psi	1.16	1.52
Max. ambient temperature	°F	140	140
Max. air inlet temperature	°F	140	140
Noise emission level	dB(A)	62	62
Environmental protection (IEC 60529)		IP 54	IP 54
Outside diameter air inlet	in	Ø 1.5	Ø 1.5
Outside diameter air outlet	in	Ø 1.5	Ø 1.5
Weight	lbs	17.6	17.6
Mark of conformity		CE	CE
Protection class I		⊕	⊕

Installation dimensions in inches



Voltage	V~ 50Hz	1 × 120	1 × 230	3 × 230 / 400
	60Hz			3 × 440 – 480
Power consumption	W	250	250	250
	Without cable	Order no.	103.434	103.429
9.84 ft cable / Euro plug	Order no.		103.432	

Additional versions available on request



➔ Accessories page 61



The combination of blow-off nozzles and blowers allows fast and efficient drying of beverage bottles.

Accessories ROBUST

(Ø 1.5 in)

107.350		PVC air hose, Ø 0.748 in
107.290		Hose clip for Ø 0.748 in air hose
107.242		Closing cap Ø 0.748 in attachable to hose connection adaptor 107.298
107.354		Stainless steel filter push-fit on air intaker
108.623 104.017		Motor capacitor 230 V- Motor capacitor 120 V-
107.298		Hose connection adaptor, push-fit on ROBUST blower and adaptor 107.293 for hose connection
107.281		Hose connection adaptor (Ø 1.5 in), 3 outputs, each 0.55 in
107.286		PVC air hose, Ø 1.5 in
107.287		Hose clip for Ø 1.5 and Ø 2.36 in air hose
107.241		Closing cap Ø 1.5 in push-fit on hose connection adaptors 107.292 and 107.293
107.293		Hose connection adaptor, push-fit
108.755		Hand operated air flow adjuster and on/off switch. Size 8.43 x 3.46 x 5.24 in
107.296		Air flow off/on switch The air flow is interrupted on command (pneumatic 72.5 psi) to the heaters. Size 8.43 x 3.46 x 5.24 in

Accessories AIRPACK

(Ø 2.36 in)

107.287		Hose clip for Ø 1.5 and Ø 2.36 in air hose
107.241		Closing cap Ø 1.5 in push-fit on hose connection adaptors 107.292 and 107.293
107.288		PVC air hose, Ø 2.36 in
107.240		Closing cap Ø 2.36 in, push-fit on hose connection adaptors 107.278
107.291		Hose connection adaptor with 1 air outlet for Ø 2.36 in hose. Push-fit on air outlet
107.292		Hose connection adaptor with 2 air outlets for Ø 2.36 in hose. Push-fit on air outlet
107.278		Hose connection adaptor, Push-fit on air outlet
110.895		Stainless steel filter push-fit on air intaker
125.907 125.908		Blow-off nozzle, push-fit Outlet opening adjustable 0.039 - 0.217 in a = 11.81 in a = 19.69 in Connector Ø 2.36 in

Blowers

Special nozzles on request

If using non-Leister blowers or accessories, Leister does not provide any warranty for its products.