

## SILENCE: The quieter option.

No blower no air! In industrial processes one blower can often supply several air heaters in parallel. Our durable and maintenance-free blowers are a result of uncompromising quality standards and decades of experience. The mid-range blower SILENCE is very quiet during operation at 61 dB(A). It delivers high air flows and can be installed in all orientations.

### Medium pressure blower

## SILENCE

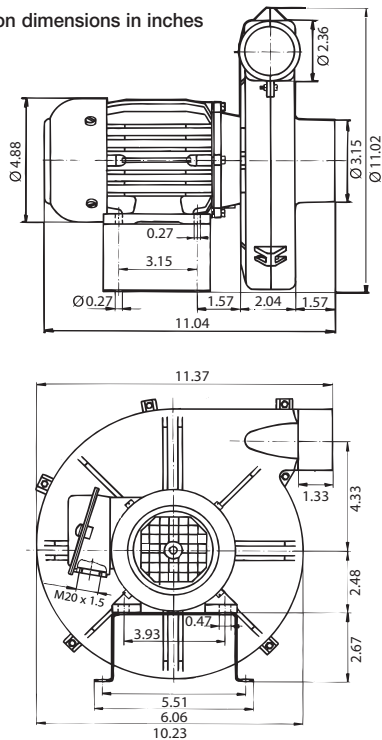


### Technical Data SILENCE

Design: radial blower

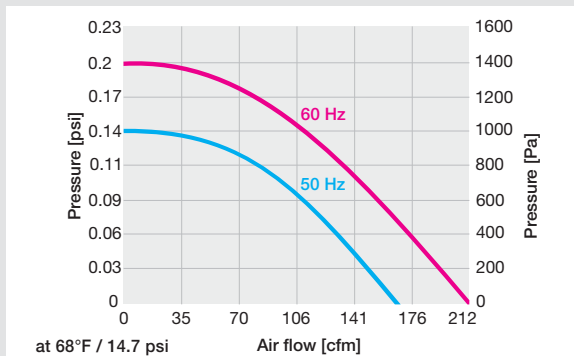
Frequency	Hz	50	60
Air flow (68 °F)	cfm	166	212
Static pressure	psi	0.15	0.20
Max ambient temperature	°F	140	140
Max. air inlet temperature	°F	392	392
Noise emission level	dB(A)	61	61
Environmental protection (IEC 60529)		IP 54	IP 54
Outside diameter air inlet	in	∅ 3.15	∅ 3.15
Outside diameter air outlet	in	∅ 2.36	∅ 2.36
Weight	lbs	19.8	19.8
Mark of conformity		CE	CE
Protection class I		⊕	⊕

### Installation dimensions in inches



Voltage	V~ 50Hz	1 × 230	3 × 230 / 400
	60Hz		3 × 440 – 480
Power consumption	W	250	250
Without cable	Order no.		103.507
9.84 ft cable / Euro plug	Order no.	103.510	

Additional versions available on request



➔ Accessories page 60