

## LEISTER High Pressure Blower ROBUST



CE

### Technical data Blower ROBUST


Design	Regenerative blower		
Voltage for three-phase supply	V~	3 × 380 – 440	3 × 230
Voltage for single-phase supply	V~	1 × 230	
Capacitor for single-phase supply	µF	12	
Frequency	Hz	50/60	
Power consumption	W	250	
Air flow at 20°C	l/min.	1200/1300	
Static pressure	Pa	8000/10500	
Ambient temperature	°C	< 60	
Noise emission level	LpA (dB)	62	
Environmental protection (IEC 529)		IP 54	
Outside diameter air inlet	mm	ø 38	
Outside diameter air outlet	mm	ø 38	
Weight	kg	8.0	
Size (L × W × H)	mm	255 × 221 × 221	

## LEISTER High Pressure Blower AIRPACK

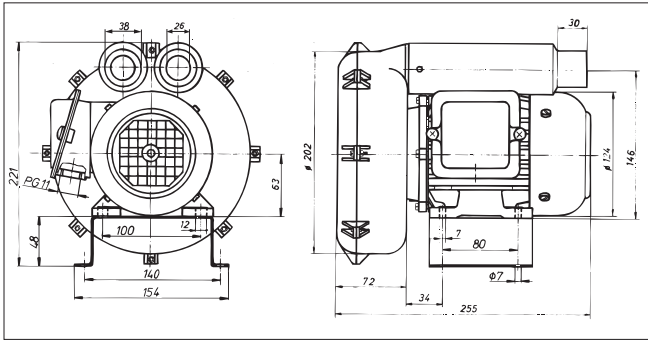


### Technical data Blower AIRPACK

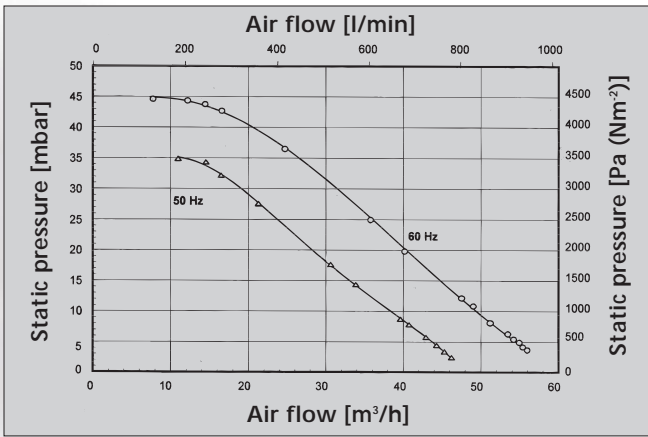
Design	Regenerative blower			
Nominal voltage +/- 10 %	V~	Y 3 × 400	Δ 3 × 230	
Rated current	A	5.2	9	
Frequency	Hz	50 60	50	60
Power consumption	kW	2.2	2.2	
Air flow at 20°C	l/min.	3500 4100	3500	4100
Static pressure	Pa	24000 28000	24000	28000
Ambient temperature	°C	< 40		
Noise emission level	LpA (dB)	73		
Environmental protection (IEC 529)	IP	54		
Outside diameter air inlet	mm	ø 60		
Outside diameter air outlet	mm	ø 60		
Weight	kg	25		
Size (L × W × H)	mm	345 × 335 × 345		

Approval mark 

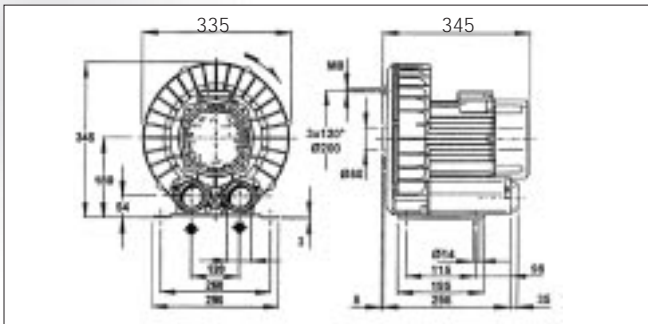
### Installation dimensions in mm



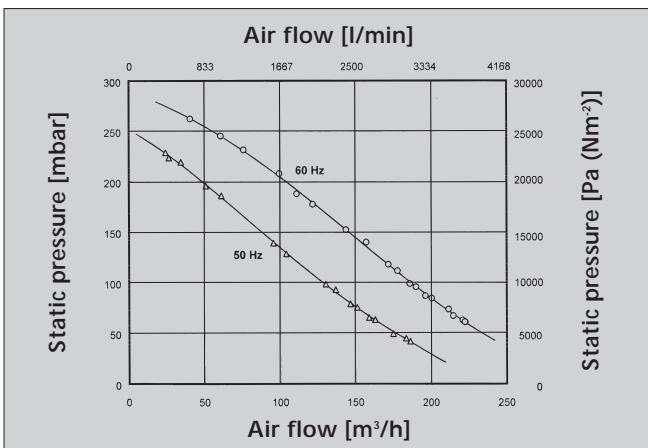
### Performance at Standard Conditions



### Installation dimensions in mm



### Performance at Standard Conditions



Order Number	Illustration not to scale	Accessories	Blower
101.681		PVC air hose $\varnothing$ 14 mm to connect blower and Heater 700 or Labo 34	ROBUST
101.031		Hose clip for $\varnothing$ 14 mm air hose	ROBUST
107.350		PVC air hose $\varnothing$ 19 mm to connect blower and Heater 3000	ROBUST
107.290		Hose clip for $\varnothing$ 19 mm air hose	ROBUST
107.242		Closing cap $\varnothing$ 19 mm attachable to hose connection adaptor 107.298	ROBUST
107.354		Stainless steel filter push-fit on air intake of Robust blower	ROBUST
108.623		Motor capacitor 220 V for Robust blower	ROBUST
104.017		Motor capacitor 110 V for Robust blower	ROBUST
107.281		Hose connection adaptor, push-fit on Robust blower, for connection of 3 Heaters 700 or Labo 34	ROBUST
107.293		Hose connection adaptor, push-fit on Robust blower. Two of these adaptors Order No. 107.281 enable 6 Heaters 700 to be connected, or two hose connection adaptors Order No. 107.298 enable 4 Heaters 3000 to be connected.	ROBUST
107.298		Hose connection adaptor, push-fit on Robust blower and adaptor 107.293 for hose connection of 2 Heaters 3000	ROBUST
107.286		PVC air hose $\varnothing$ 38 mm	ROBUST
107.287		Hose clip for $\varnothing$ 38 mm and $\varnothing$ 60 mm hose	ROBUST AIRPACK
107.241		Closing cap $\varnothing$ 38 mm push-fit on hose connection adaptors 107.292 and 107.293	ROBUST AIRPACK
107.288		PVC air hose $\varnothing$ 60 mm for connecting the AirPack blower and heater	AIRPACK
107.240		Closing cap $\varnothing$ 60 mm push-fit on hose connection adaptor 107.278	AIRPACK
107.291		Hose connection adaptor with 1 air outlet for $\varnothing$ 38 mm hose. Push-fit on air outlet of the AirPack blower for connection of 1 Heater 3300 or 5000	AIRPACK
107.292		Hose connection adaptor with 2 air outlets for $\varnothing$ 38 mm hose. Push-fit on air outlet of the AirPack blower for connecting 2 Heaters 3300 or 5000	AIRPACK
107.278		Hose connection adaptor, push-fit on air outlet of the AirPack blower for connecting 2 Heaters 10 000 S	AIRPACK

If using non-LEISTER or self-constructed accessories, no guarantee can be given by us