

LEISTER

PLASTIC WELDING

**Contactless
soldering and
de-soldering of
SMD and
thru-hole
components**



HOT JET S



HOT JET S DIGITAL

Soldering and de-soldering with hand tool HOT JET S and HOT JET S DIGITAL: Done in seconds, precise, reliable and ESD-protected

Hand tool

HOT JET S



- Worldwide the smallest hand tool
- Sufficient hot air supply is assured for fast de-soldering by means of the high heating capacity and air flow
- Air flow electronically steplessly adjustable from 20 to 80 l/min.
- The hot air stream can be adjusted as finely as necessary for de-soldering and soldering the smallest components
- Temperature electronically steplessly controlled from 20°C to 600°C
- Installation into machines and appliances is possible under certain conditions
- Safe handling by using the adjustable plastic stand which can be easily removed
- Pleasant to work with because of the emission level of only 59 L_{pA}(dB)
- Connection of an ESD-lead to the standard size stud is possible
- Further applications: Shrinking and welding of plastics, polymerization of glassfibre light-conductor connections

Technical Data

Voltage	V~	100	120	230
Power consumption	W	460		
Frequency	Hz	50 / 60		
Temperature	°C	20 – 600		
Air flow (20°C)	l/min	20 – 80		
Pressure static	Pa	max. 1600 (16 mbar)		
Noise emission level L _{pA}	dB	59		
Size (L x Ø)	mm	235 x 70, handle Ø 40		
Weight	kg	0.6 (with 3 m cord)		
Marking of conformity		CE		
Approval mark		S		
Certification scheme		CCA		
Protection class II		□		

Hand tool

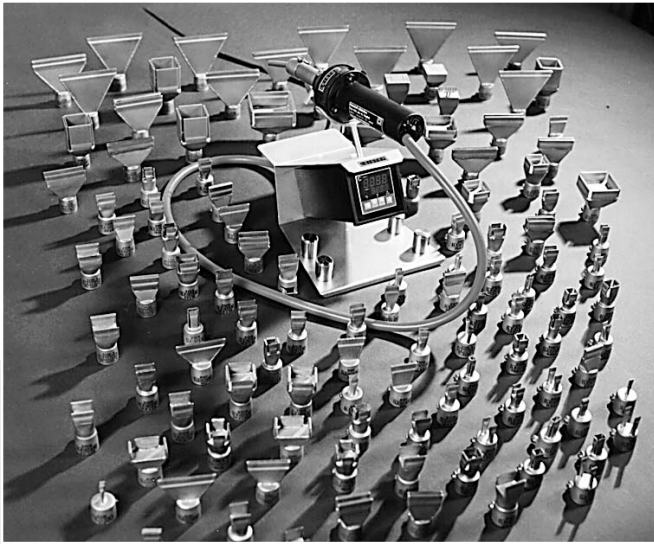
HOT JET S DIGITAL



- Temperature control by means of thermocouple
- Enhanced stability and very quickly balanced through PID control
- Simultaneous digital display of actual and set value
- Precise temperature and control +/- 1°C
- Reproducible soldering and de-soldering processes
- Air flow electronically adjustable
- Within EMV standard
- ESD connection facility
- Userfriendly tool stand
- Fireproof holder for nozzles
- Over 800 different de-soldering nozzles
- Further applications: Shrinking and welding of plastics, polymerization of glassfibre light-conductor connections

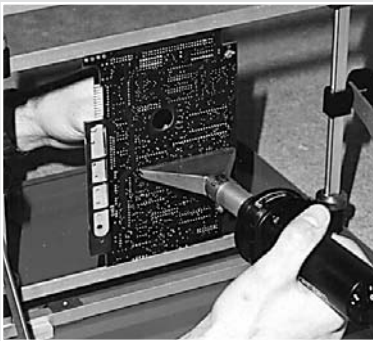
Technical Data

Voltage	V~	100	120	230
Power consumption	W	460		
Frequency	Hz	50 / 60		
Temperature	°C	20 – 500		
Air flow	l/min	20 – 80		
Pressure static	Pa	max. 1600 (16 mbar)		
Noise emission level L _{pA}	dB	59		
Size (L x Ø)	mm	245 x 180 x 200, handle Ø 40		
Weight	kg	2.1 (with 3 m cord)		
Marking of conformity		CE		
Protection class II		□		



We supply special nozzles according to customer requirements world-wide within 2 – 3 weeks on submission of drawings or components with circuit board.

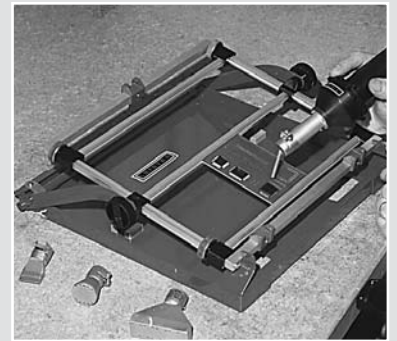
Changing nozzles is done quickly and easily by push-fitting required nozzles onto the tapered refined steel tube on the LEISTER tool.



De-soldering a large PIN-connector.



Removing excess solder with hot air and de-solder braid.



After positioning the SMD component it is then soldered in seconds.

Hot air soldering station with PID control



There are available over 800 different standard and special nozzles for PLCC, LCCC, FPPLCC, QFP, TAB, BQFP, SO, SOL, TSOP, VSO, DIP, SIP, PIN-Grids.

Also, fine pitch components and PIN-Grids (PGA) can be contactlessly soldered without solder bridges.

Shrinking of heat shrink sleeves, -films, -tapes, -solder connections and -moulded parts. Drying of water-damp surfaces. Welding of thermoplastic materials.



Headquarter:

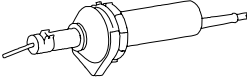

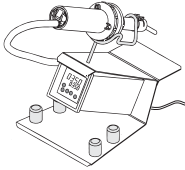

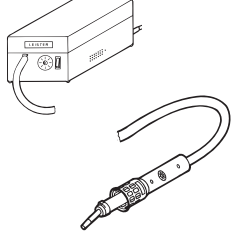

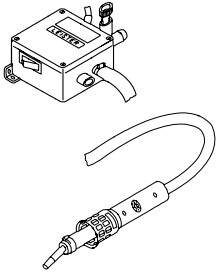


Leister Process Technologies
Riedstrasse
6060 Sarnen/Switzerland
phone: +41 41 662 74 74
fax: +41 41 662 74 16
leister@leister.com

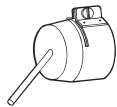
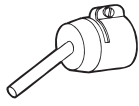
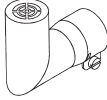
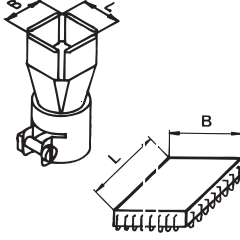
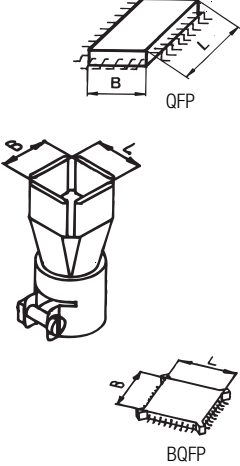
China:

Leister Technologies Ltd.
Building A, 1588 Zhuanxing Road
Shanghai 201 108 PRC
phone: +86 (21) 6442 2398
fax: +86 (21) 6442 2338
leister@leister.cn

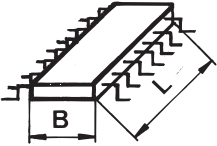
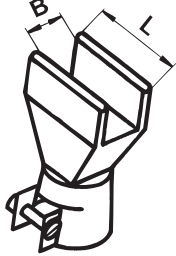
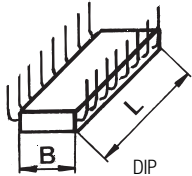
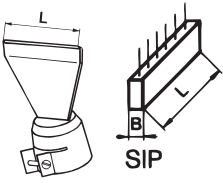
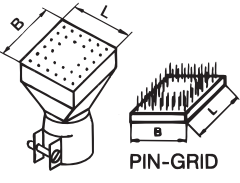
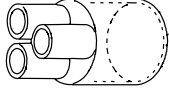


Accessories for contactless soldering

	<p>HOT-JET S Hot air soldering tool </p> <p>with standard nozzle \varnothing 5 mm 230V~, 50/60 Hz, 460 W 100V , 120V~, 50/60 Hz, 460W Temperature electronically steplessly controlled Air flow electronically steplessly adjustable</p>
	<p>HOT-JET S DIGITAL Hot air soldering station with PID control </p> <p>with standard nozzle \varnothing 5 mm 230V~, 50/60 Hz, 460 W 100V , 120V~, 50/60 Hz, 460W Temperature electronically steplessly controlled Air flow electronically steplessly adjustable</p>
 plus ESD version	<p>LABOR S Hot air soldering tool </p> <p>incl. blower and standard nozzle \varnothing 5 mm 230V~, 50/60Hz, 800W 120V~, 50/60Hz, 700W 100V~, 50/60Hz, 500W Weight 2.5kg Temperature electronically steplessly controlled Air flow electronically steplessly adjustable</p>
 plus ESD version	<p>LABOR S Hot air soldering tool </p> <p>without blower unit, with connecting box and 3 m hose for connecting to Longlife or an existing air supply with standard nozzle \varnothing 5 mm 230V~, 50/60Hz, 700W 120V~, 50/60Hz, 600W 100V~, 50/60Hz, 400W Temperature electronically steplessly controlled Air flow electronically steplessly adjustable</p>
	<p>High pressure blower ROBUST</p> <p>Regenerative blower</p> <p>* 3 \times 380 – 440V * 3 \times 230V ** 1 \times 230V with capacitor</p>

	107.148	Soldering nozzle 3 \times 1,5 mm oval for contactless de-soldering and soldering with fine hot air jet, push fit on > LABOR S > HOT JET S > HOT JET S DIGITAL
	107.151	Soldering nozzle \varnothing 4 mm for contactless de-soldering and soldering, push fit on > LABOR S > HOT JET S > HOT JET S DIGITAL
	105.641	Angled nozzles 21,3 \times 33/45 mm, push fit on > LABOR S > HOT JET S > HOT JET S DIGITAL
 PLCC, LCCC FPPLCC	31D5A	De-soldering nozzle four-sided for PLCC, LCCC, FPPLCC bevelled
	104.567	PLCC 18 11.7 \times 6
	104.584	PLCC 20 10.1 \times 10.1
	104.554	PLCC 28 12.6 \times 12.6
	104.530	PLCC 32 14.7 \times 12.2
	104.507	PLCC 44 + 48 17.7 \times 17.7
	104.473	PLCC 52 20.4 \times 20.4
	104.438	PLCC 68 25.3 \times 25.3
	104.403	PLCC 84 30.7 \times 30.7
	104.382	PLCC 100 34.5 \times 34.5
	104.584	LCCC 20 10.1 \times 10.1
	104.544	LCCC 22 14 \times 9
	104.576	LCCC 24 11 \times 11
	104.438	LCCC 68 25.3 \times 25.3
 BQFP	31D5	De-soldering nozzle four-sided for QFP, TAB and BQFP
	104.583	QFP 48 10.1 \times 10.1
	104.539	QFP 44,52,60 14.1 \times 14.1
	104.506	QFP 64 17.7 \times 17.7
	104.477	QFP 64,80,100,128 20.1 \times 14.1
	104.472	QFP 72 20.4 \times 20.4
	104.421	QFP 100,120,144 28 \times 28
	104.394	QFP 184 32.5 \times 32.5
	104.482	BQFP 100 20 \times 20
	109.120	BQFP 132 24.2 \times 24.2
	104.409	BQFP 164 29.6 \times 29.6
	104.381	BQFP 196 34.5 \times 34.5
	104.607	7 \times 7
	104.604	8 \times 8
	104.651	12.2 \times 7,6
	104.551	13 \times 10
	104.532	14.5 \times 8,5
	104.524	16 \times 12
	104.515	16.7 \times 16,7
	104.495	18.9 \times 14,9
	104.465	22 \times 16
	104.444	24.3 \times 24,3
	104.364	37.5 \times 37,5
	104.356	40.1 \times 40,1

Accessories for contactless soldering

<p>31D6</p>  <p>SO, SOL VSO, TSOP</p>  	<p>De-soldering nozzle two-sided for SO, SOL, TSOP, VSO and DIP</p> <table border="0"> <tr><td>104.956</td><td>SO 8</td><td>5.3 × 4</td></tr> <tr><td>104.934</td><td>SO 14</td><td>8.5 × 4</td></tr> <tr><td>104.919</td><td>SO 16</td><td>10.2 × 4</td></tr> <tr><td>104.902</td><td>SO 20</td><td>12.2 × 5.5</td></tr> <tr><td>104.950</td><td>SO 8L</td><td>5.3 × 7.6</td></tr> <tr><td>104.914</td><td>SO 16L</td><td>10.2 × 7.6</td></tr> <tr><td>104.899</td><td>SO 20L</td><td>12.2 × 7.6</td></tr> <tr><td>104.873</td><td>SO 24L</td><td>15.4 × 7.6</td></tr> <tr><td>104.845</td><td>SO 28L</td><td>18.5 × 7.6</td></tr> <tr><td>104.842</td><td>TSOP 28</td><td>18.5 × 8.5</td></tr> <tr><td>104.892</td><td>VSO 30</td><td>12.2 × 14.2</td></tr> <tr><td>104.873</td><td>VSO 40</td><td>15.4 × 7.6</td></tr> <tr><td>104.820</td><td>VSO 52</td><td>20 × 9.2</td></tr> <tr><td>104.813</td><td>VSO 56</td><td>20 × 13</td></tr> <tr><td>104.947</td><td>DIP 6</td><td>6 × 6</td></tr> <tr><td>104.925</td><td>DIP 8</td><td>9.2 × 6</td></tr> <tr><td>104.876</td><td>DIP 14</td><td>15.4 × 6</td></tr> <tr><td>104.824</td><td>DIP 16</td><td>20 × 6</td></tr> <tr><td>104.802</td><td>DIP 18</td><td>22 × 6</td></tr> <tr><td>104.791</td><td>DIP 20</td><td>25.3 × 6</td></tr> <tr><td>104.787</td><td>DIP 22</td><td>25.3 × 8.1</td></tr> <tr><td>104.741</td><td>DIP 24</td><td>31 × 13</td></tr> <tr><td>104.725</td><td>DIP 28</td><td>34.5 × 13</td></tr> <tr><td>104.701</td><td>DIP 32</td><td>41.7 × 13</td></tr> <tr><td>104.667</td><td>DIP 40</td><td>50.5 × 13</td></tr> <tr><td>104.642</td><td>DIP 64</td><td>57.5 × 17.7</td></tr> </table> <p>Plug connections (2-rows)</p> <table border="0"> <tr><td>104.907</td><td>12.2 × 0.5</td></tr> <tr><td>104.855</td><td>18.5 × 0.6</td></tr> <tr><td>104.804</td><td>22 × 0.7</td></tr> <tr><td>104.794</td><td>25.3 × 0.0</td></tr> <tr><td>104.732</td><td>34.5 × 0.0</td></tr> <tr><td>104.709</td><td>41.7 × 0.0</td></tr> <tr><td>104.687</td><td>46.5 × 0.2</td></tr> <tr><td>104.636</td><td>62.5 × 0.0</td></tr> <tr><td>104.623</td><td>75 × 0.0</td></tr> <tr><td>104.952</td><td>5.3 × 6.3</td></tr> <tr><td>104.918</td><td>10.2 × 5.7</td></tr> <tr><td>104.917</td><td>10.2 × 6.4</td></tr> <tr><td>104.871</td><td>15.4 × 8.8</td></tr> <tr><td>104.868</td><td>15.4 × 9.5</td></tr> <tr><td>104.822</td><td>20 × 8.1</td></tr> <tr><td>104.728</td><td>34.5 × 5.4</td></tr> <tr><td>104.646</td><td>57.5 × 5.5</td></tr> </table>	104.956	SO 8	5.3 × 4	104.934	SO 14	8.5 × 4	104.919	SO 16	10.2 × 4	104.902	SO 20	12.2 × 5.5	104.950	SO 8L	5.3 × 7.6	104.914	SO 16L	10.2 × 7.6	104.899	SO 20L	12.2 × 7.6	104.873	SO 24L	15.4 × 7.6	104.845	SO 28L	18.5 × 7.6	104.842	TSOP 28	18.5 × 8.5	104.892	VSO 30	12.2 × 14.2	104.873	VSO 40	15.4 × 7.6	104.820	VSO 52	20 × 9.2	104.813	VSO 56	20 × 13	104.947	DIP 6	6 × 6	104.925	DIP 8	9.2 × 6	104.876	DIP 14	15.4 × 6	104.824	DIP 16	20 × 6	104.802	DIP 18	22 × 6	104.791	DIP 20	25.3 × 6	104.787	DIP 22	25.3 × 8.1	104.741	DIP 24	31 × 13	104.725	DIP 28	34.5 × 13	104.701	DIP 32	41.7 × 13	104.667	DIP 40	50.5 × 13	104.642	DIP 64	57.5 × 17.7	104.907	12.2 × 0.5	104.855	18.5 × 0.6	104.804	22 × 0.7	104.794	25.3 × 0.0	104.732	34.5 × 0.0	104.709	41.7 × 0.0	104.687	46.5 × 0.2	104.636	62.5 × 0.0	104.623	75 × 0.0	104.952	5.3 × 6.3	104.918	10.2 × 5.7	104.917	10.2 × 6.4	104.871	15.4 × 8.8	104.868	15.4 × 9.5	104.822	20 × 8.1	104.728	34.5 × 5.4	104.646	57.5 × 5.5	<p>31D7</p>  <p>SIP</p>	<p>De-soldering nozzle straight line for SIP-housing and PIN-connector</p> <table border="0"> <tr><td>105.070</td><td>25</td></tr> <tr><td>105.066</td><td>30</td></tr> <tr><td>105.053</td><td>50</td></tr> <tr><td>105.039</td><td>80</td></tr> <tr><td>105.036</td><td>100</td></tr> </table> <p>> LABOR S > HOT JET S > HOT JET S DIGITAL</p>	105.070	25	105.066	30	105.053	50	105.039	80	105.036	100
104.956	SO 8	5.3 × 4																																																																																																																											
104.934	SO 14	8.5 × 4																																																																																																																											
104.919	SO 16	10.2 × 4																																																																																																																											
104.902	SO 20	12.2 × 5.5																																																																																																																											
104.950	SO 8L	5.3 × 7.6																																																																																																																											
104.914	SO 16L	10.2 × 7.6																																																																																																																											
104.899	SO 20L	12.2 × 7.6																																																																																																																											
104.873	SO 24L	15.4 × 7.6																																																																																																																											
104.845	SO 28L	18.5 × 7.6																																																																																																																											
104.842	TSOP 28	18.5 × 8.5																																																																																																																											
104.892	VSO 30	12.2 × 14.2																																																																																																																											
104.873	VSO 40	15.4 × 7.6																																																																																																																											
104.820	VSO 52	20 × 9.2																																																																																																																											
104.813	VSO 56	20 × 13																																																																																																																											
104.947	DIP 6	6 × 6																																																																																																																											
104.925	DIP 8	9.2 × 6																																																																																																																											
104.876	DIP 14	15.4 × 6																																																																																																																											
104.824	DIP 16	20 × 6																																																																																																																											
104.802	DIP 18	22 × 6																																																																																																																											
104.791	DIP 20	25.3 × 6																																																																																																																											
104.787	DIP 22	25.3 × 8.1																																																																																																																											
104.741	DIP 24	31 × 13																																																																																																																											
104.725	DIP 28	34.5 × 13																																																																																																																											
104.701	DIP 32	41.7 × 13																																																																																																																											
104.667	DIP 40	50.5 × 13																																																																																																																											
104.642	DIP 64	57.5 × 17.7																																																																																																																											
104.907	12.2 × 0.5																																																																																																																												
104.855	18.5 × 0.6																																																																																																																												
104.804	22 × 0.7																																																																																																																												
104.794	25.3 × 0.0																																																																																																																												
104.732	34.5 × 0.0																																																																																																																												
104.709	41.7 × 0.0																																																																																																																												
104.687	46.5 × 0.2																																																																																																																												
104.636	62.5 × 0.0																																																																																																																												
104.623	75 × 0.0																																																																																																																												
104.952	5.3 × 6.3																																																																																																																												
104.918	10.2 × 5.7																																																																																																																												
104.917	10.2 × 6.4																																																																																																																												
104.871	15.4 × 8.8																																																																																																																												
104.868	15.4 × 9.5																																																																																																																												
104.822	20 × 8.1																																																																																																																												
104.728	34.5 × 5.4																																																																																																																												
104.646	57.5 × 5.5																																																																																																																												
105.070	25																																																																																																																												
105.066	30																																																																																																																												
105.053	50																																																																																																																												
105.039	80																																																																																																																												
105.036	100																																																																																																																												
<p>31D8</p>  <p>PIN-GRID</p>	<p>De-soldering nozzle for PIN-Grids and socket</p> <table border="0"> <tr><td>105.249</td><td>PGA 136</td><td>38 × 38</td></tr> <tr><td>105.317</td><td>PGA 68</td><td>30 × 30</td></tr> <tr><td>105.336</td><td>PGA 81</td><td>26 × 26</td></tr> <tr><td>105.341</td><td>PGA 48</td><td>26 × 26</td></tr> </table> <p>Other sizes and pin hole configurations, also available</p> <p>> LABOR S > HOT JET S > HOT JET S DIGITAL</p>	105.249	PGA 136	38 × 38	105.317	PGA 68	30 × 30	105.336	PGA 81	26 × 26	105.341	PGA 48	26 × 26																																																																																																																
105.249	PGA 136	38 × 38																																																																																																																											
105.317	PGA 68	30 × 30																																																																																																																											
105.336	PGA 81	26 × 26																																																																																																																											
105.341	PGA 48	26 × 26																																																																																																																											
	<p>Hose connection adaptor, push fit on LONGLIFE blower, to connect 3 LABOR S tools</p> <p>107.281</p>																																																																																																																												

Nozzles are not included to the hand tools.
Technical data are subject to change without notice.