

LEISTER Hot Air Blower HOTWIND S

Temperature electronically controlled
up to 800°C



CE

Technical data HOTWIND S

Voltage	V~	380-440	230	230	120	100
Frequency	Hz	50/60	50/60	50/60	50/60	50/60
Power consumption	W	4000-5400	3700	3100	2300	2000
Temperature	°C	620	650	800	560	450
Air flow at 20°C	l/min.	600	550	350	450	450
Static pressure	Pa			200		
Heater tube stainless steel	mm			ø 62		
Protection tube stainless steel	mm			ø 74		
Air outlet	mm			ø 62		
Weight	kg			3.2		
Size (L)	mm	350	310	350	310	310
Size (W × H)	mm			172 × 99		
Approval mark	Ⓢ	CCA certified				

LEISTER Hot Air Blower VULCAN E

Temperature electronically controlled
up to 650° C

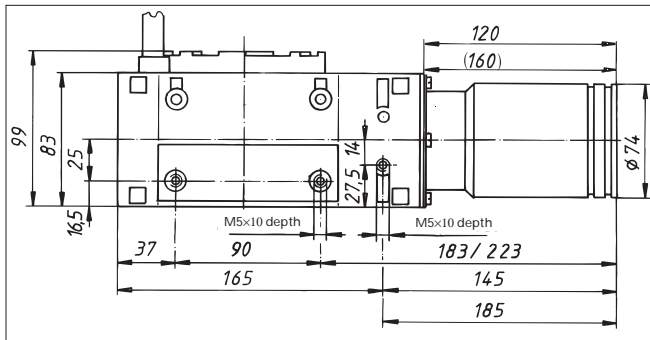
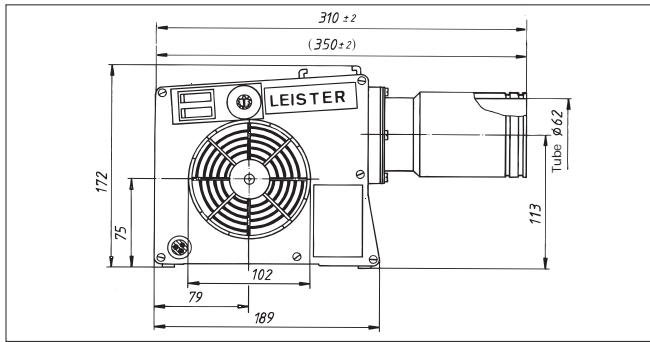


CE

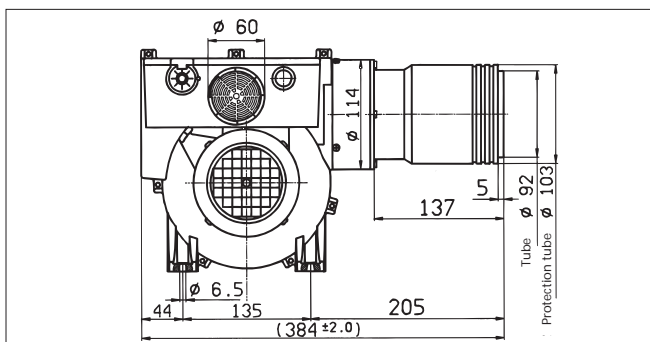
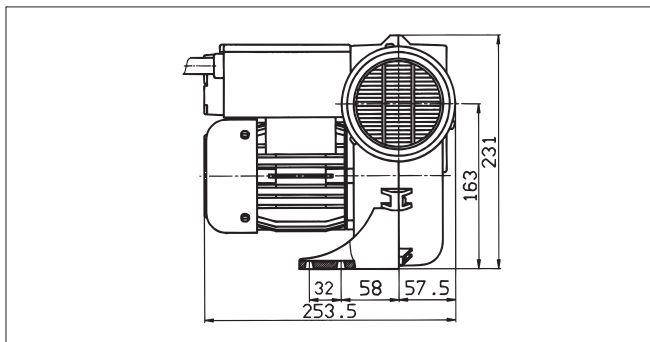
Technical data VULCAN E

Voltage	V~	3×380-440	3×230
Frequency	Hz	50/60	
Power consumption	kW	10-13.5	10
Temperature	°C	650	650
Air flow at 20°C	l/min.	950/1700	850/1500
Static pressure	Pa	3100/4000	
Heater tube stainless steel	mm	ø 92	
Protection tube stainless steel	mm	ø 103	
Air outlet	mm	ø 92	
Weight	kg	9.3	
Size (L×W×H)	mm	384×254×231	
Approval mark	Ⓢ	CCA certified	

Installation dimensions in mm



Installation dimensions in mm



Order Number	Illustration not to scale	Accessories	Tool
107.245		Round nozzle \varnothing 40 mm, push-fit	HOTWIND S
107.246		Flange connector, push-fit on protection tube	HOTWIND S
107.247		Extension nozzle 200x40 mm, push-fit	HOTWIND S
107.248		Stainless steel filter, push-fit, can be cleaned, for continuous operation	HOTWIND S
107.259		Wide slot nozzle 150x12 mm, push-fit	HOTWIND S
107.260		Wide slot nozzle 85x15 mm, push-fit	HOTWIND S
107.262		Wide slot nozzle 300x4 mm, push-fit	HOTWIND S
107.329		Sieve reflector \varnothing 75 mm, push-fit	HOTWIND S
107.336		Sieve reflector \varnothing 110 mm, push-fit	HOTWIND S
107.342		Shell reflector 400x50 mm, push-fit	HOTWIND S
107.244		Round nozzle \varnothing 50 mm, push-fit	VULCAN E
107.267		Wide slot nozzle 500x15 mm, push-fit	VULCAN E
107.272		Wide slot nozzle 300x12 mm, push-fit	VULCAN E
107.273		Extension nozzle 500x60 mm, push-fit	VULCAN E
107.274		Wide slot nozzle 130x17 mm, push-fit	VULCAN E
107.275		Flange connector, push-fit on protection tube	VULCAN E
107.277		Stainless steel filter, push-fit, can be cleaned, for continuous operation	VULCAN E
107.341		Shell reflector 370x160 mm, push-fit	VULCAN E

Special nozzles available on request

If using non-Leister or self-constructed accessories, no guarantee can be given by us