

A

B

C

D

E

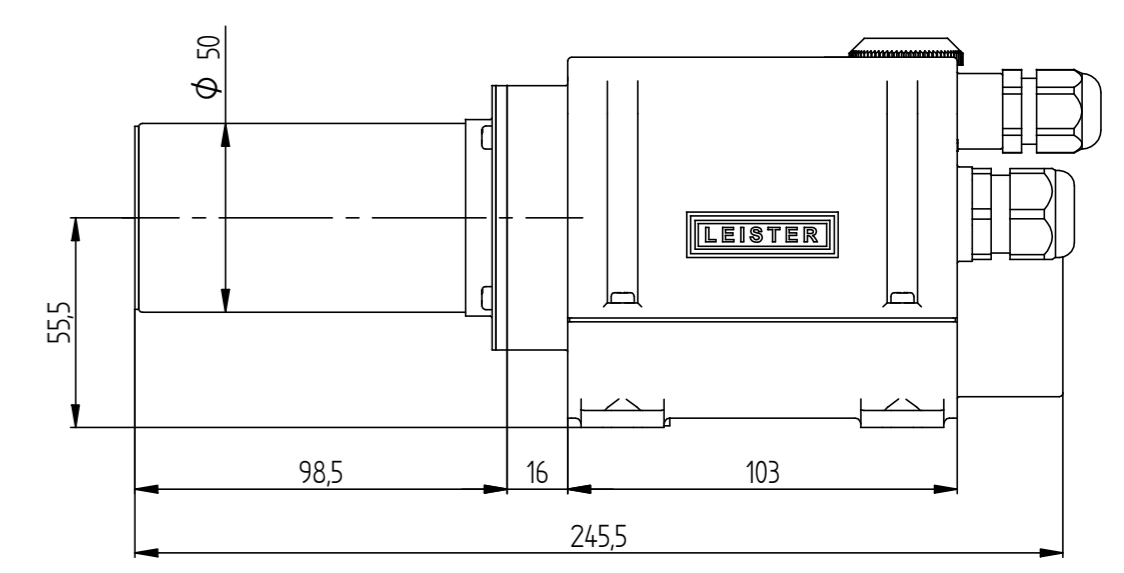
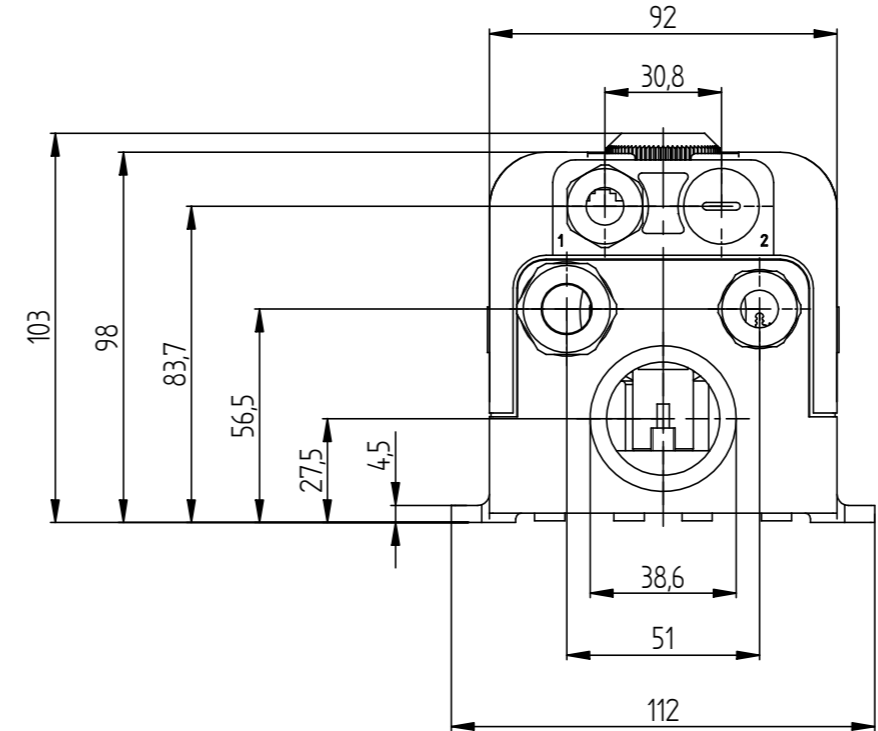
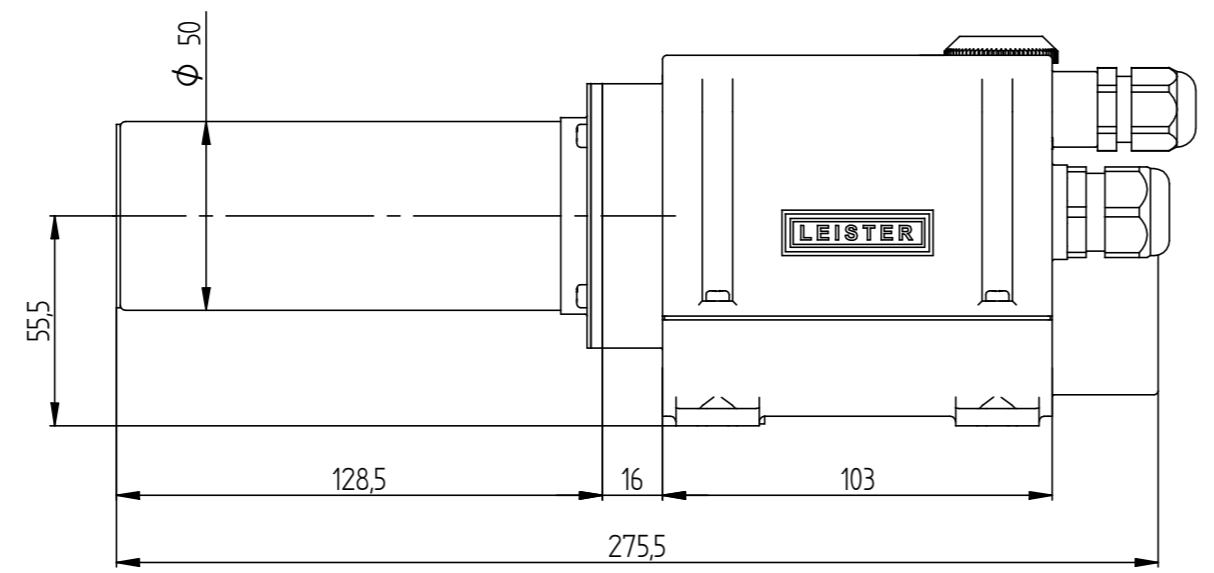
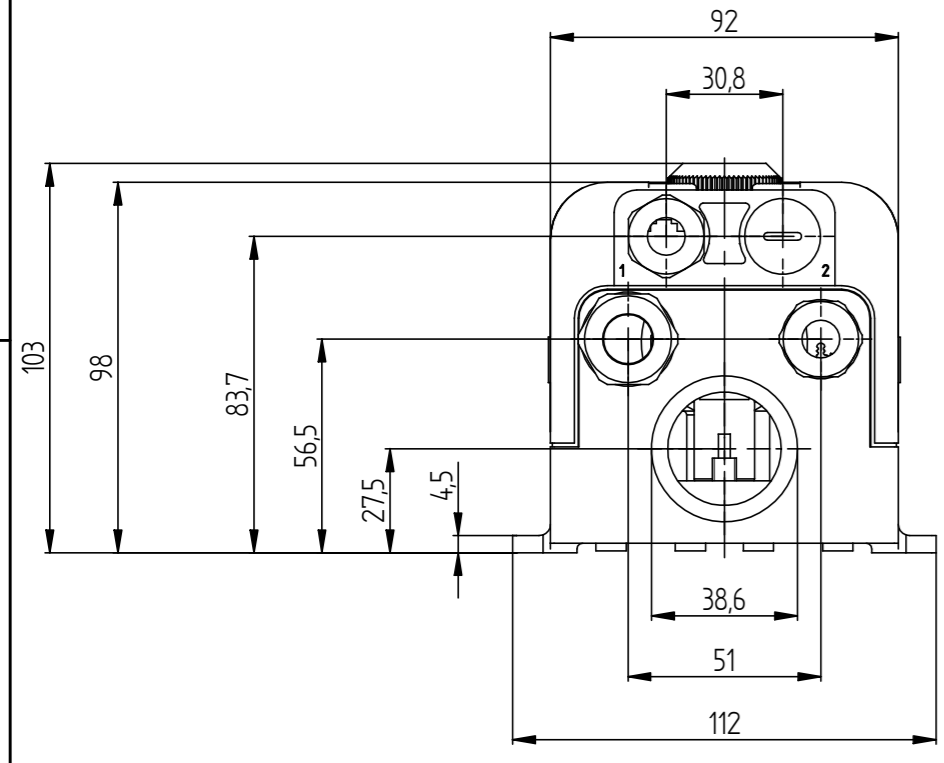
F

1

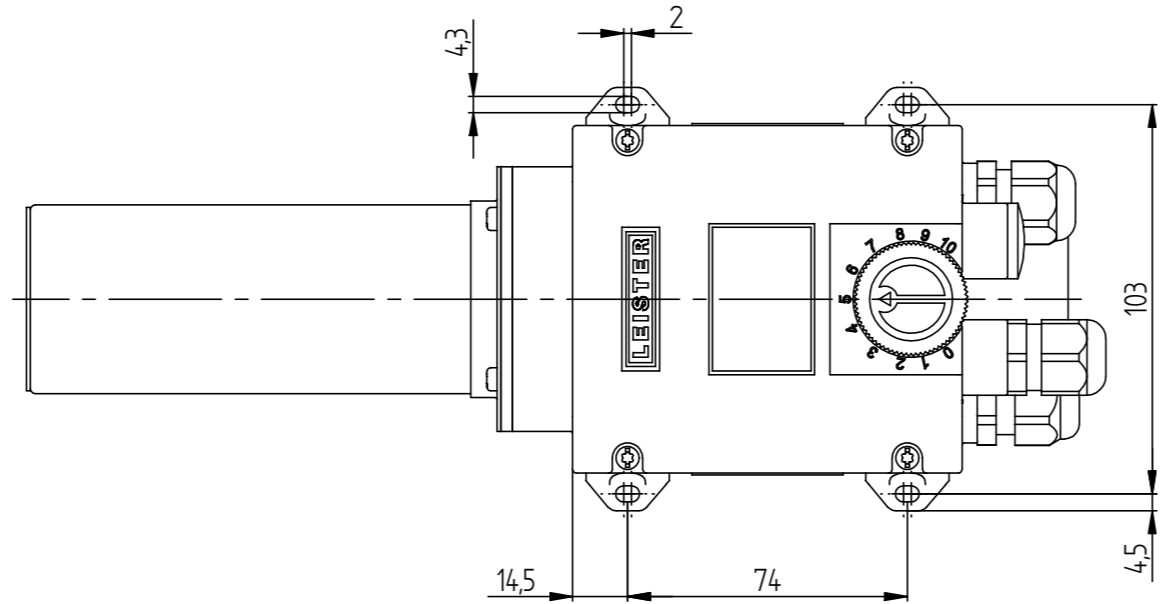
2

3

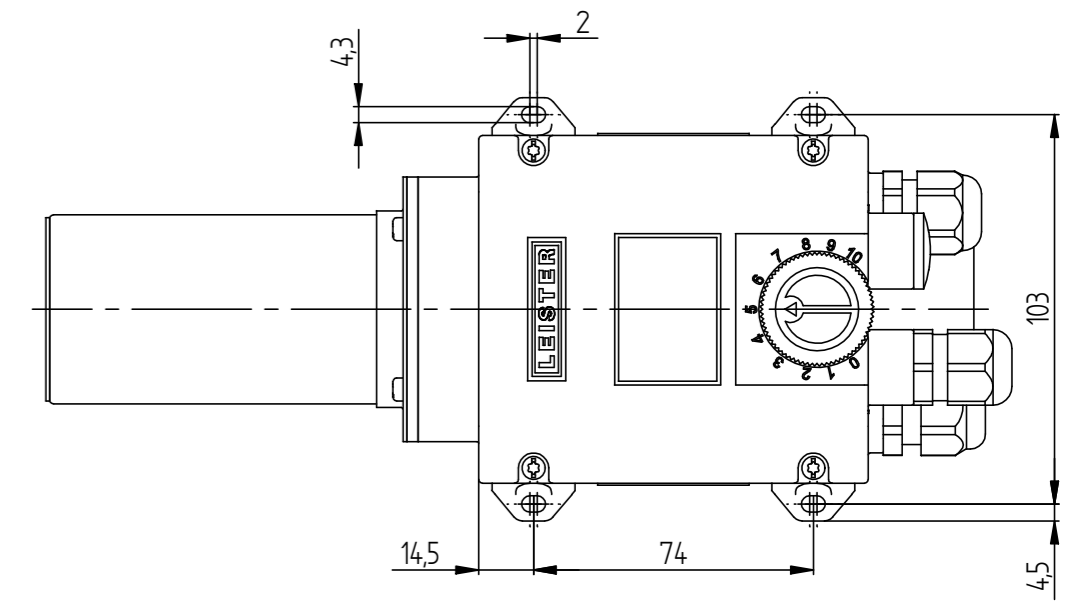
4



LHS Premium-System 40L



LHS Premium-System 40S



Subject to modifications

Material:		Volume:	
Date	Drawn by	LHS Premium-System 40	Sheet
15.03.2006	lw		3
Date	Checked by		of
			3
LEISTER Process Technologies CH-6060 Sarnen		Format	Scale
		A2	1:2
			Drawing number
			020.113
			Revision
			02

This document and the information it contains are property of LEISTER and as such, they are to be considered reserved.
 Therefore, any reproduction in any form or by any means, without prior written permission of LEISTER is forbidden.