

A

B

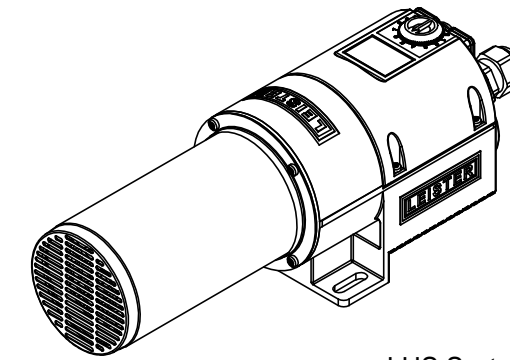
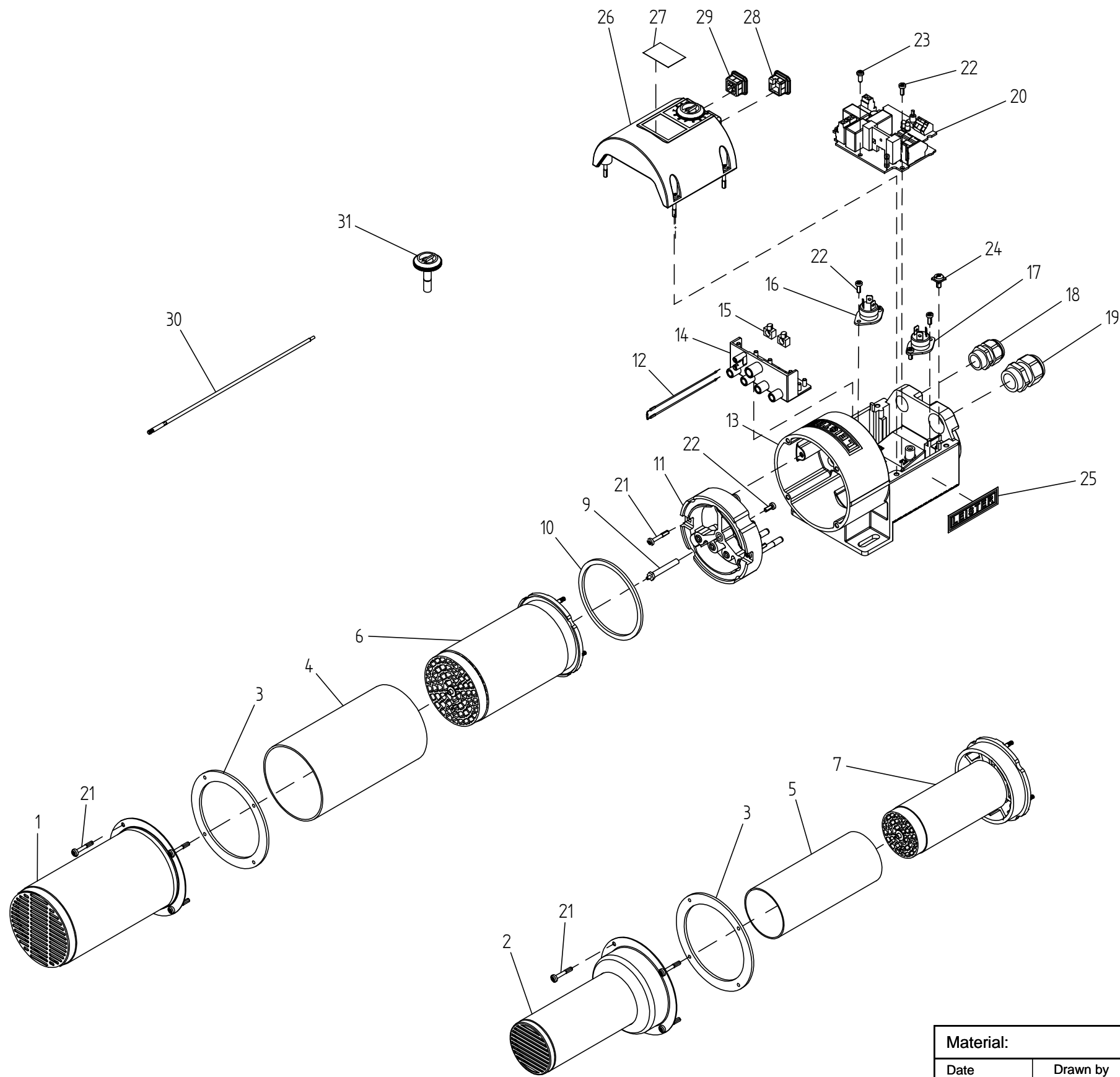
C

D

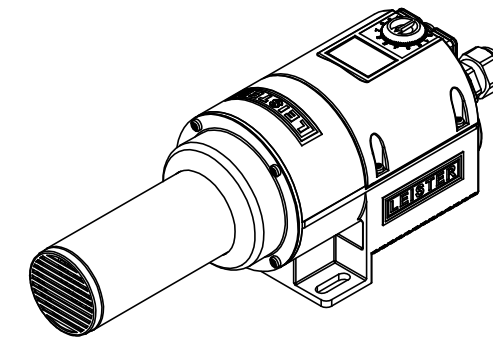
1

2

3



LHS System 60L



LHS System 60S

Material:				Volume:		
Date	Drawn by	LHS Premium-System 60			Sheet	
15.03.2006	lw				1	
Date	Checked by				of	
			1			
LEISTER Process Technologies CH-6060 Sarnen		Format	Scale		Drawing number	Revision
		A3	1:5		020.114	01