

A

B

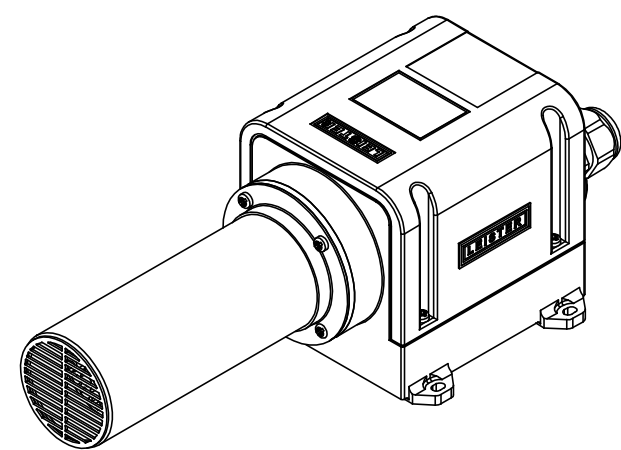
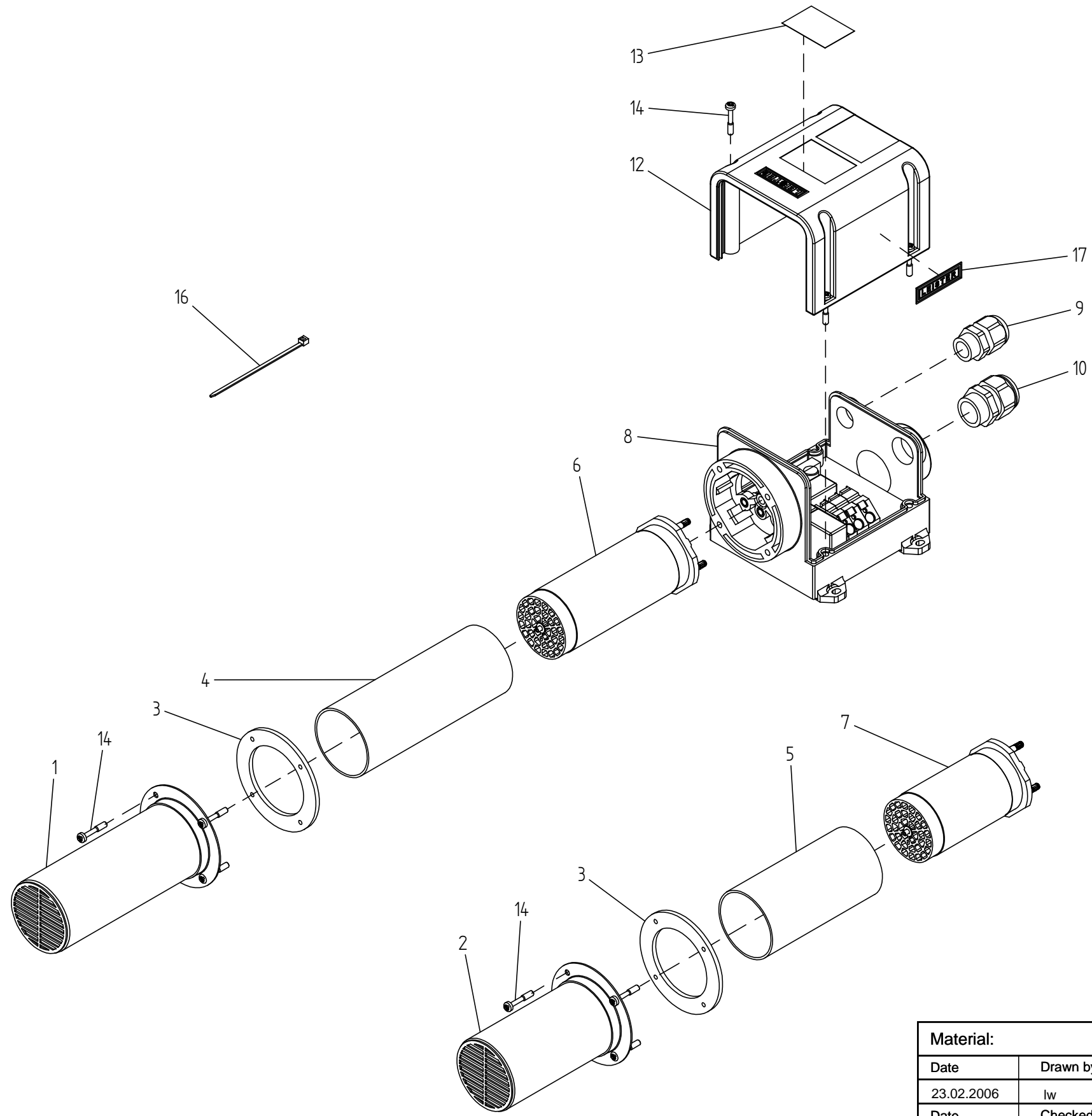
C

D

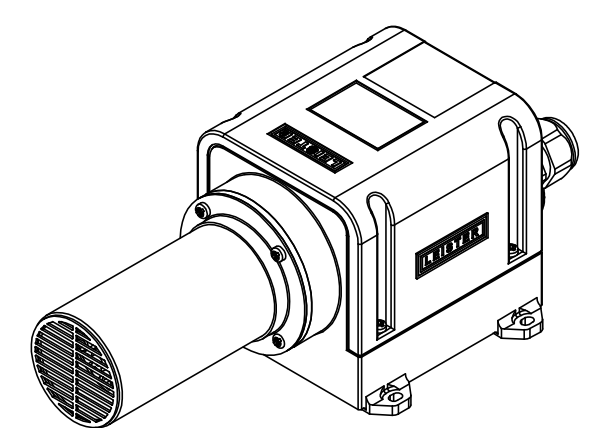
1

2

3



LHS Classic 40L



LHS Classic 40S

Material:				Volume:		
Date	Drawn by	LHS Classic 40			Sheet	
23.02.2006	lw				1	
Date	Checked by				of	
				1		
LEISTER Process Technologies CH-6060 Sarnen		Format	Scale		Drawing number	Revision
		A3	%		020.119	01

This document and the information it contains are property of LEISTER and as such, they are to be considered reserved.  
 © Therefore, any reproduction in any form or by any means, without prior written permission of LEISTER is forbidden.

A

B

C

D

E

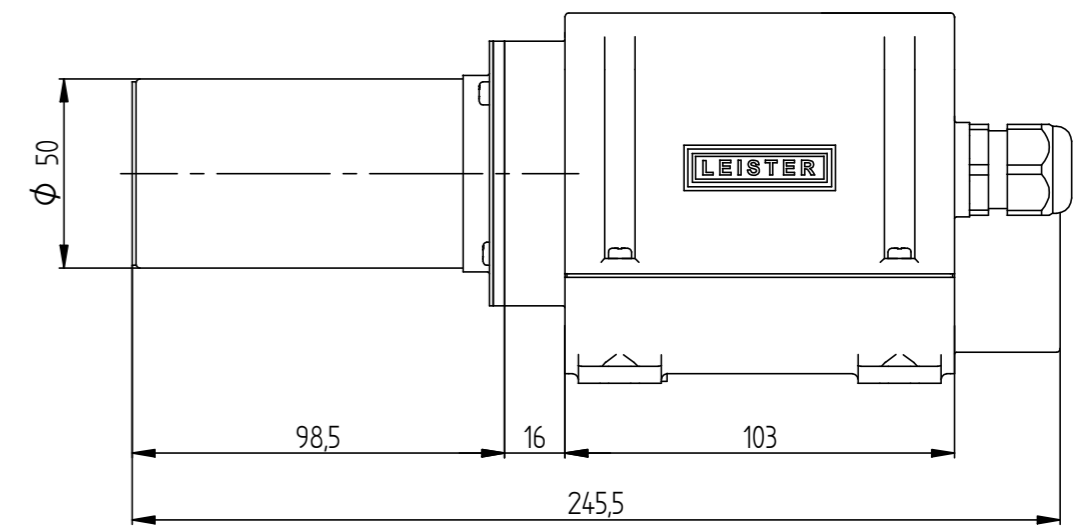
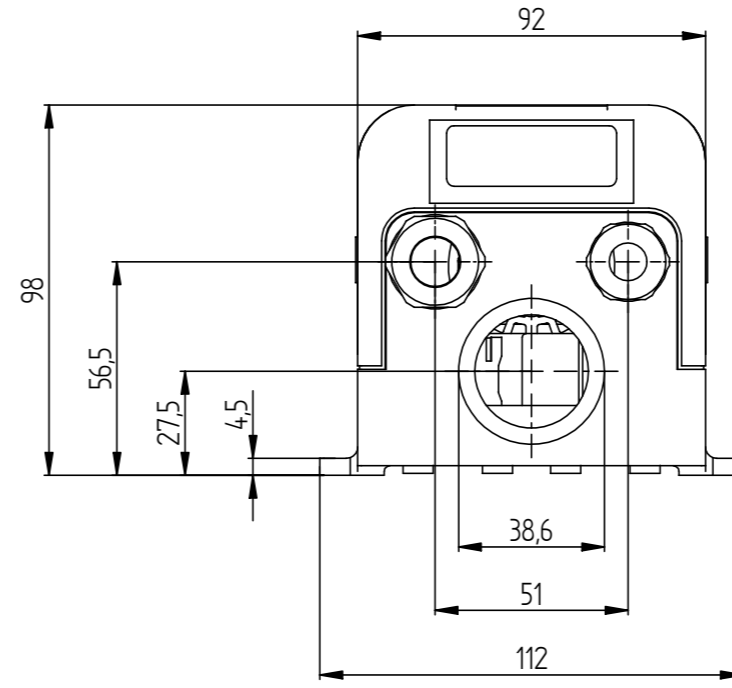
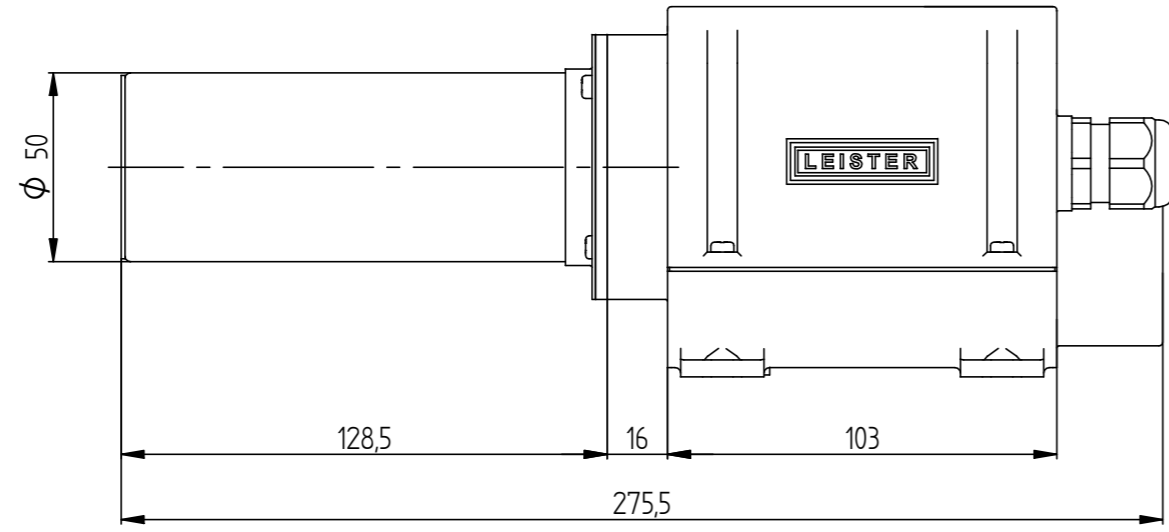
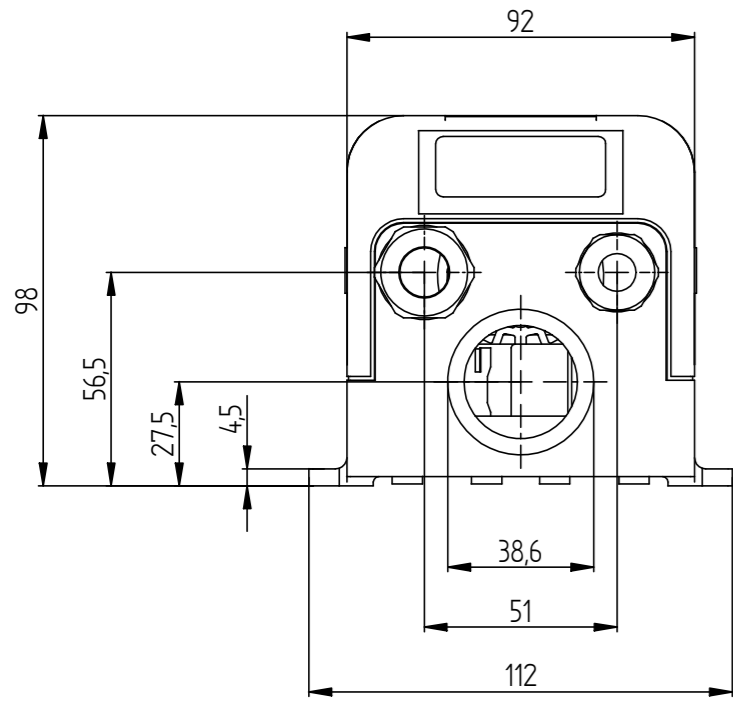
F

1

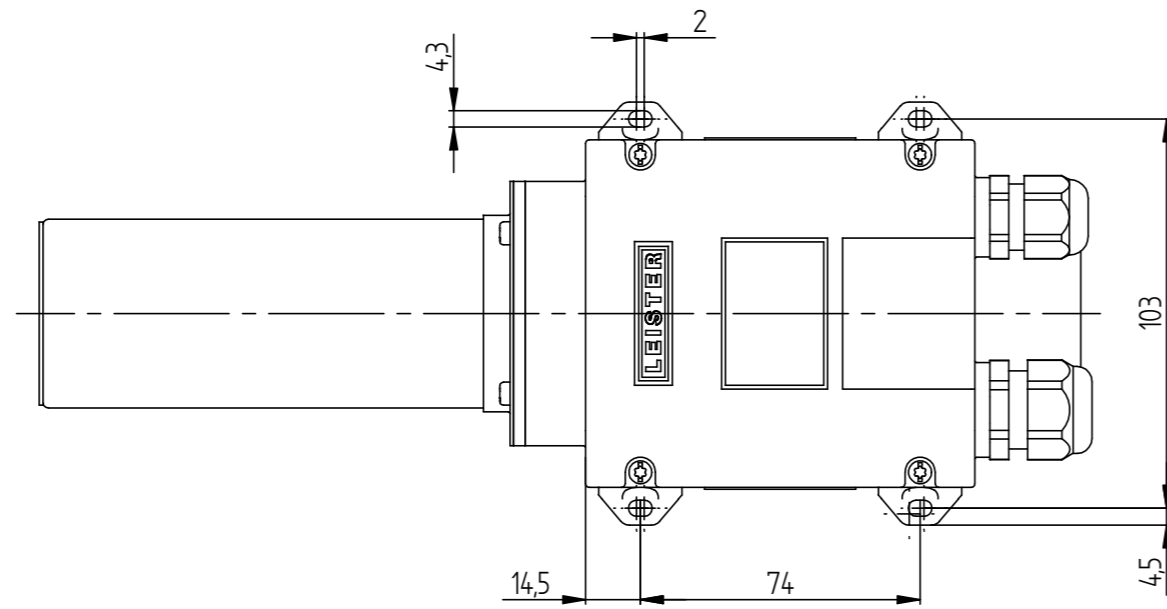
2

3

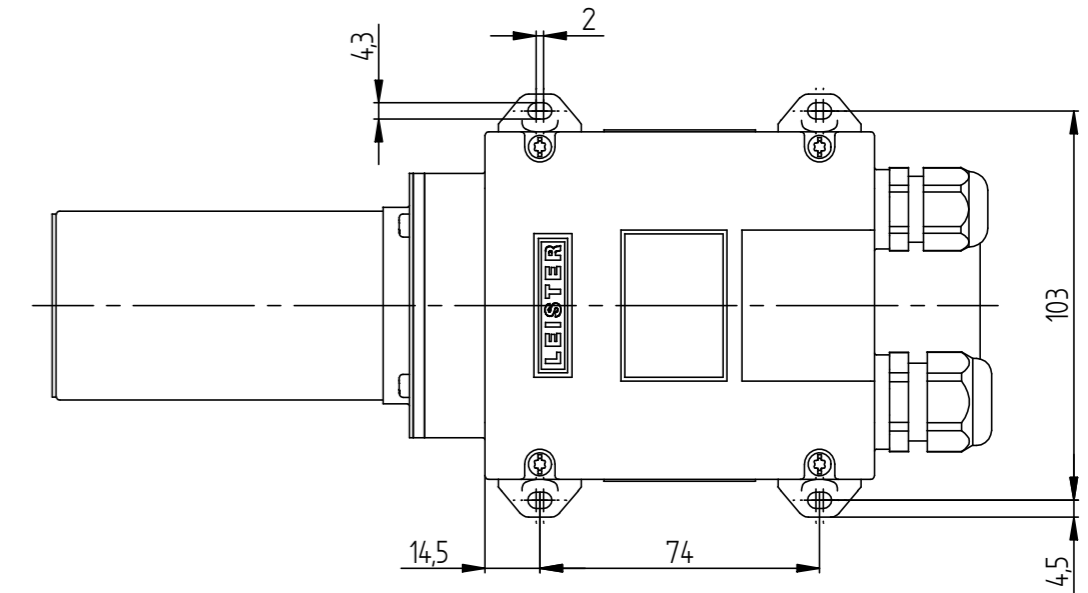
4



LHS Classic 40L



LHS Classic 40S



Subject to modifications

Material:				Volume:		
Date	Drawn by	LHS Classic 40			Sheet	
24.02.2006	lw				1	
Date	Checked by				of	
			1		Revision	
LEISTER Process Technologies CH-6060 Sarnen		Format	Scale		Drawing number	Revision
		A2	1:2		020.119	01

This document and the information it contains are property of LEISTER and as such, they are to be considered reserved. Therefore, any reproduction in any form or by any means, without prior written permission of LEISTER is forbidden.