

A

B

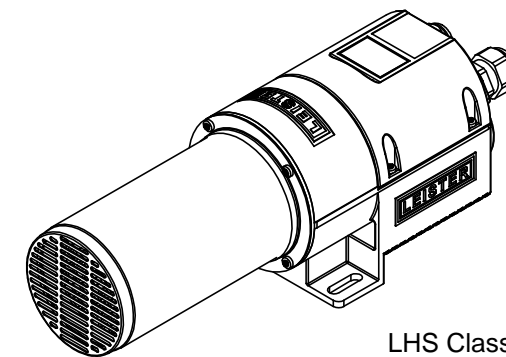
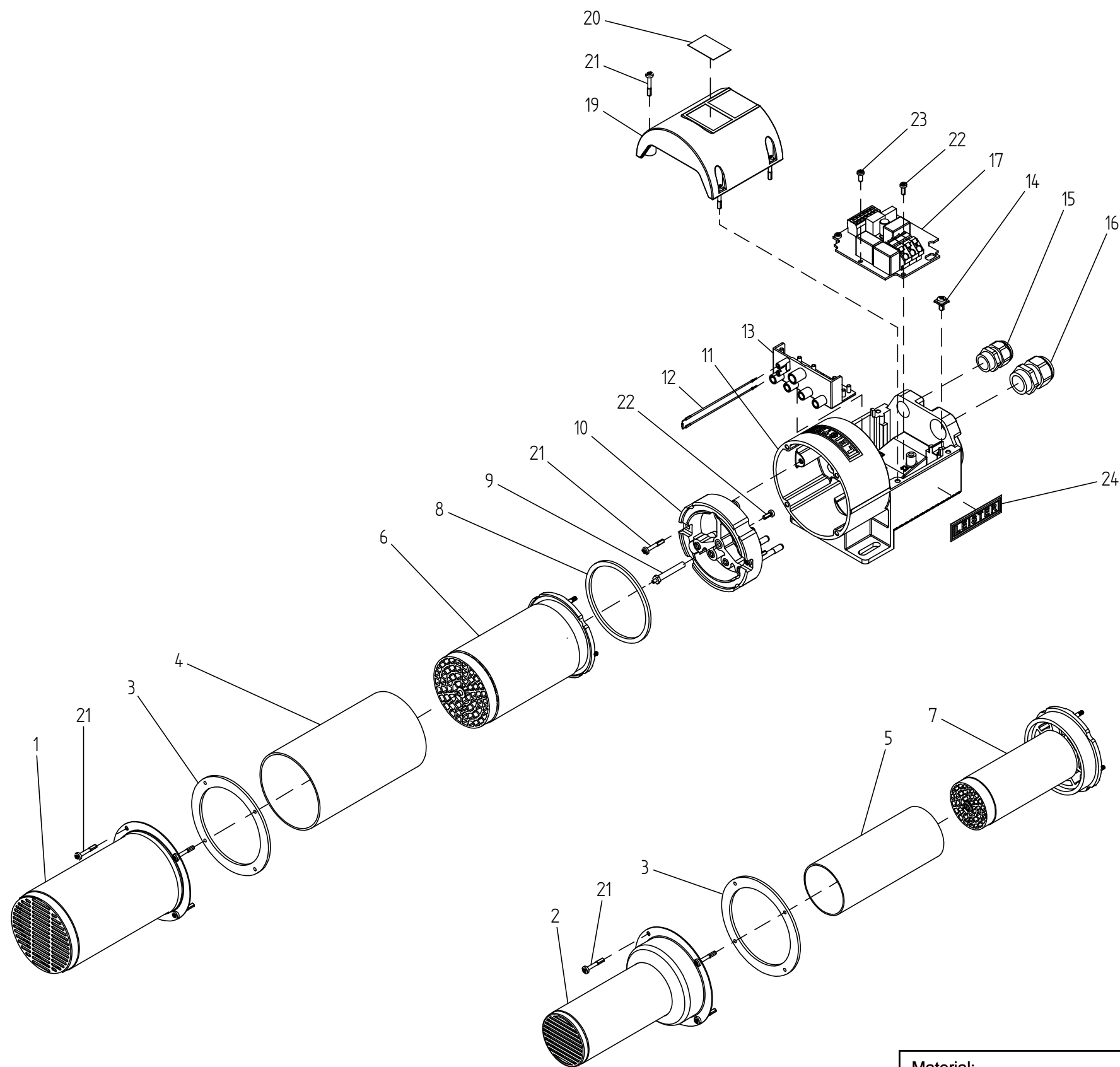
C

D

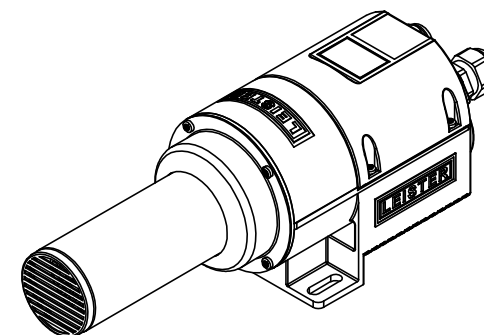
1

2

3



LHS Classic 60L



LHS Classic 60S

Material:				Volume:	
Date	Drawn by	LHS Classic 60			Sheet
02.03.2006	lw				1
Date	Checked by				of
			1		
LEISTER Process Technologies CH-6060 Sarnen		Format	Scale	Drawing number	Revision
		A3	%		

A

B

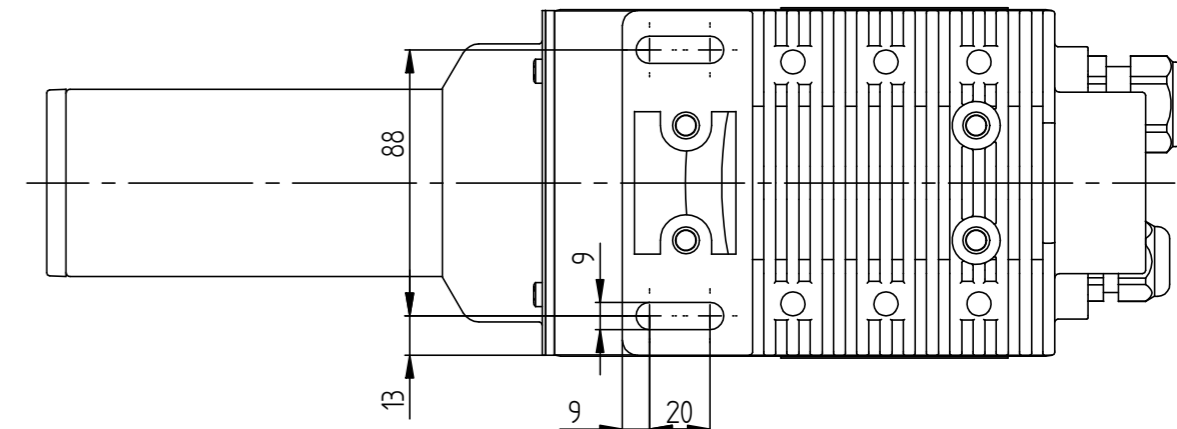
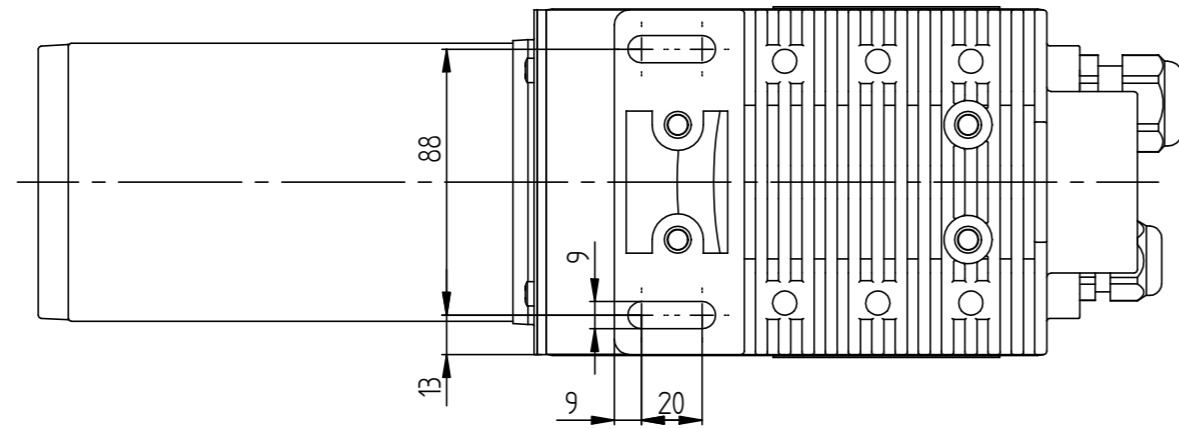
C

D

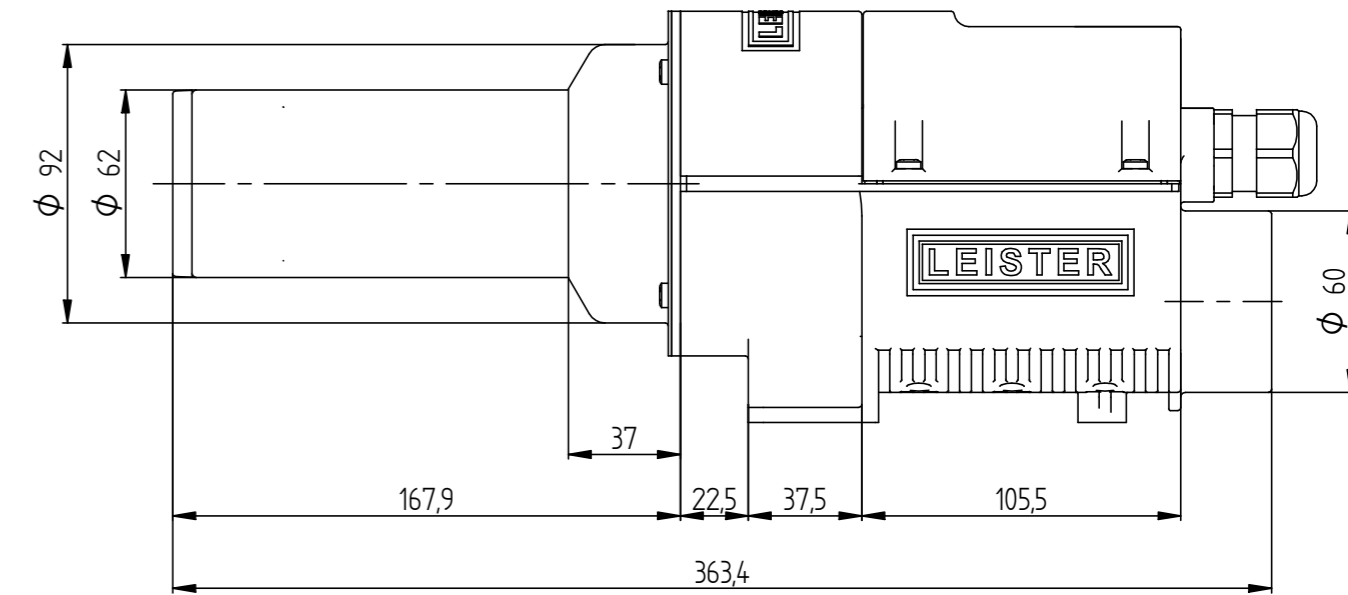
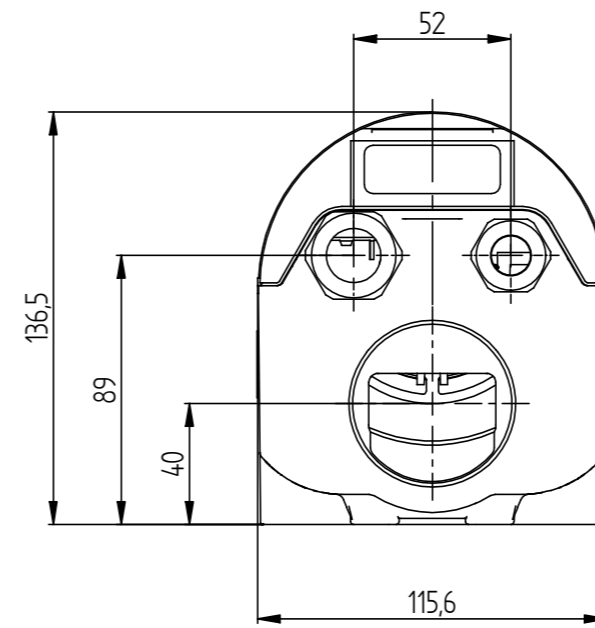
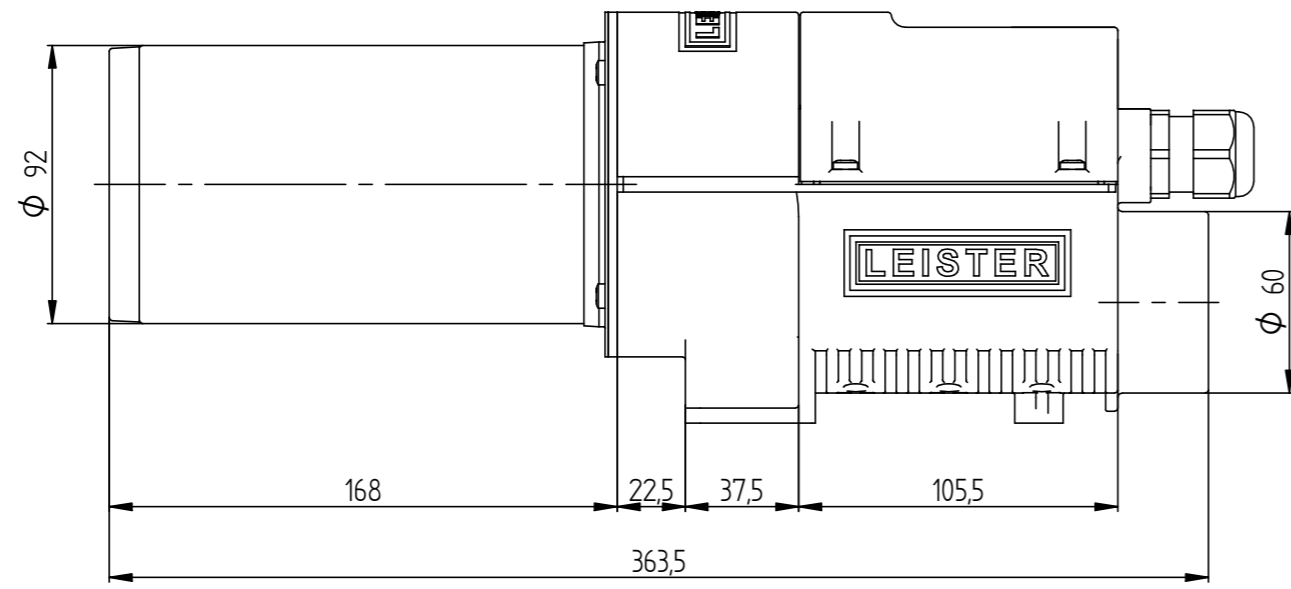
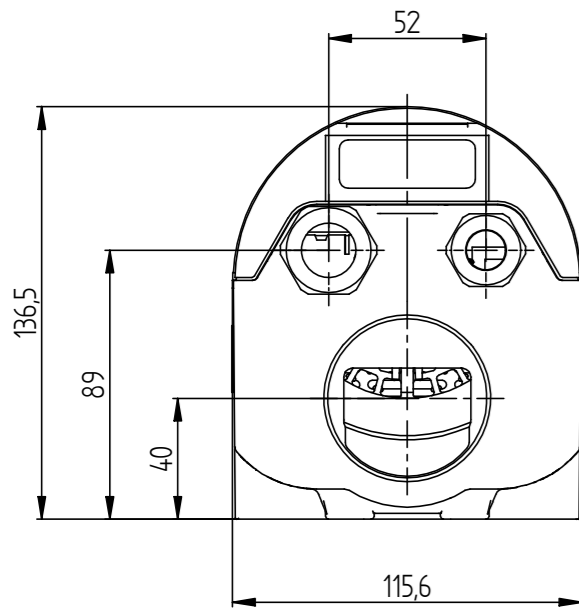
E

F

1



2



LHS Classic 60L

LHS Classic 60S

3

Subject to modifications

4

Material:				Volume:		
Date	Drawn by	LHS Classic 60			Sheet	
02.03.2006	lw				1	
Date	Checked by				of	
				1		
LEISTER Process Technologies CH-6060 Sarnen		Format	Scale		Drawing number	Revision
		A2	%		020.121	01

A

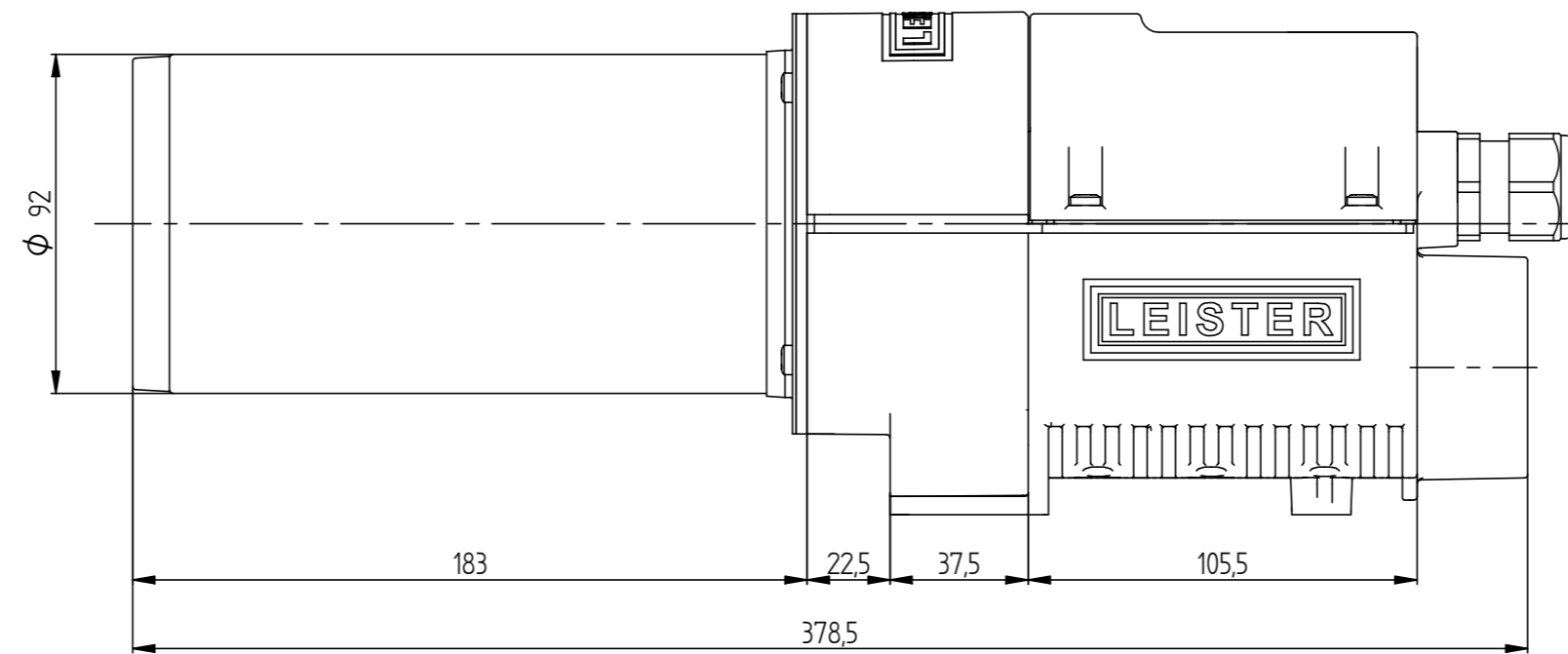
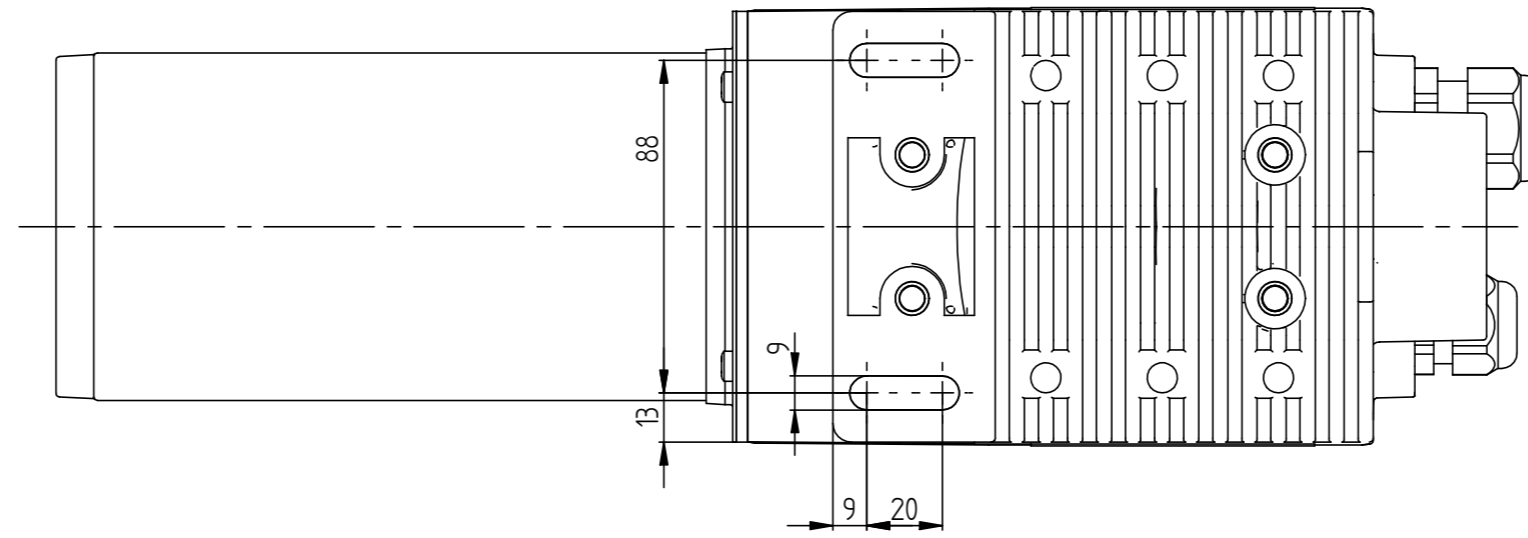
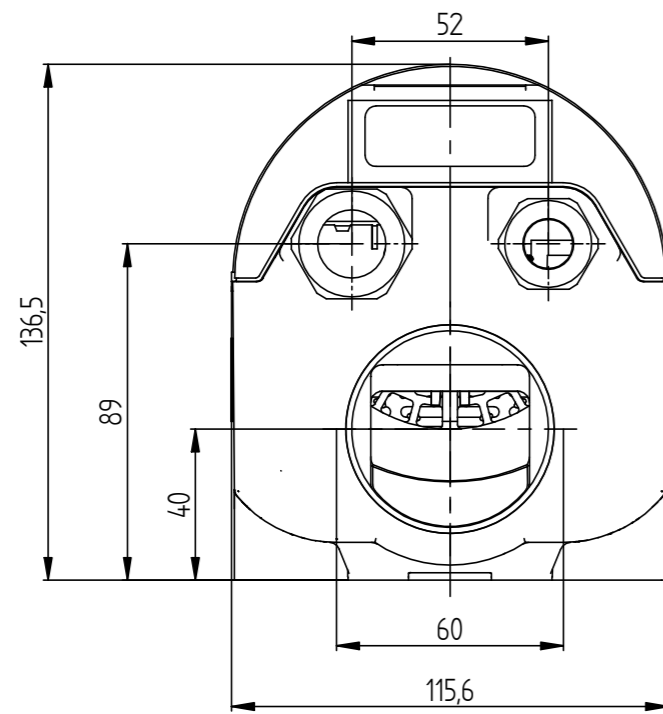
B

C

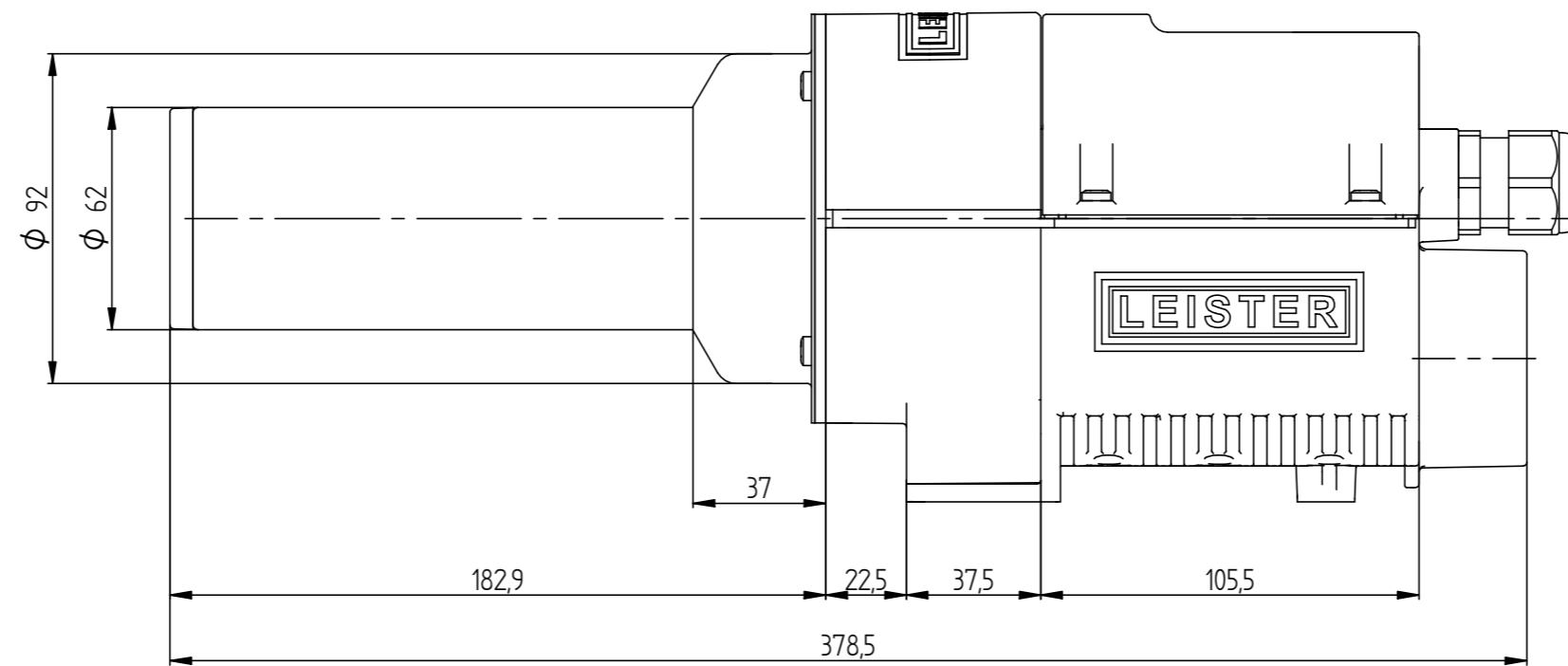
D

E

F



LHS Classic 60L



LHS Classic 60S

Subject to modifications

Werkstoff:				Volumen:		
Datum	Gezeichnet	LHS Classic 60			Blatt	
28.06.2004	lg				1	
Datum	Geprüft				von	
				1		
LEISTER Process Technologies CH-6060 Samen		Format	Massstab		Zeichnungs-Nr.	Index
		A2	1:2		020.012	01