

# LEISTER Heater Labo 34 without electronic



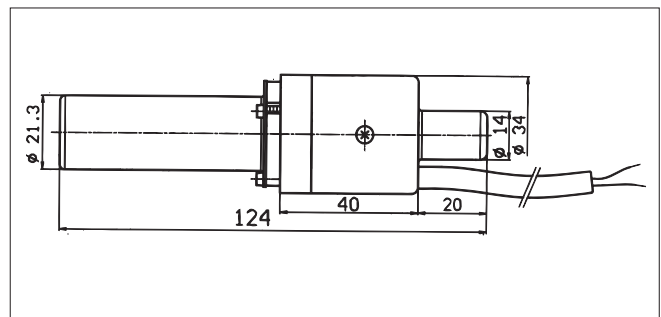
CE

## Technical data Heater Labo 34



Voltage	V~	230
Frequency	Hz	50/60
Power consumption	W	800
Max. temperature	°C	650
Min. Air flow	l/min.	100
Heater tube stainless steel	mm	∅ 22
Air inlet	mm	∅ 14
Air outlet	mm	∅ 22
Weight	g	100
Size (∅ × L)	mm	∅ 34 × 124

## Installation dimensions in mm



# LEISTER Heater 700 Temperature electronically controlled up to 600° C



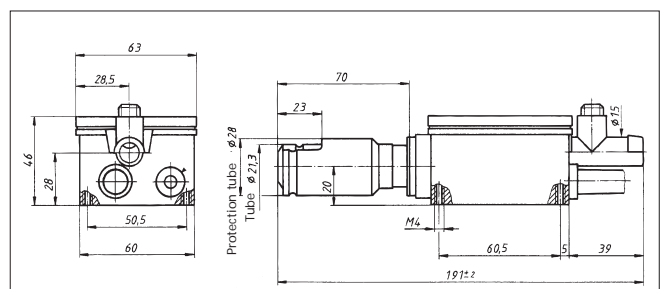
CE

## Technical data Heater 700



Voltage	V~	220-230	120
Frequency	Hz	50/60	50/60
Power consumption	W	800	550
Max. temperature	°C		600
Min. Air flow	l/min.	100	80
Heater tube stainless steel	mm		∅ 21.3
Protection tube stainless steel	mm		∅ 28
Air inlet	mm		∅ 15
Air outlet	mm		∅ 13
Weight	g		260
Size (L × W × H)	mm		191 × 63 × 46
Approval mark			

## Installation dimensions in mm



## Combination possibilities

LEISTER Heater Labo 34 with ROBUST blower at max. heating capacity			
Blower Type	Heater LABO 34	Hot air temperature 3 mm in front of the air outlet of the heater with 3 mm hose length and blower running at full capacity without nozzle	
	Number × Wattage	Air flow l/min. at 20°C	Temperature in °C
ROBUST	1 × 800	1 × 140	450
ROBUST	2 × 800	2 × 120	520

Air flow and temperature details are standard values which can be affected by external influences.

Order Number	Illustration not to scale	Accessories	Heater
107.282		Flange connector, push-fit on protection tube	700 Labo 34
107.311		Sieve reflector 50 × 35 mm for shrinking of sleeves and formed parts in PVC and PTFE, push-fit	700 Labo 34
107.144		Round nozzle ø 5 mm, push-fit	700
107.145		Round nozzle ø 10 mm, push-fit	700
107.152		De-soldering nozzle ø 12 mm, for de-soldering IC's as well as shrinking of sleeves and moulded parts in PVC, PTFE, FEP ect., push-fit	700
On request		Special de-soldering nozzles for SMD components, push-fit	700
107.310		Sieve reflector 20 × 35 mm for shrinking of sleeves and moulded parts in PVC and PTFE, push-fit	700
107.324		Sieve reflector ø 10 mm for soldering shrink solder connections and shrinking of PVC, PTFE, FEP sleeves. Push-fit on ø 5 mm round nozzle	700
107.299		<b>Air flow off/on switch</b> The air supply is interrupted on command (pneumatic 5 bar) to the heaters. The electronic heater switches off the heat immediately the air flow is stopped. Push-fit on Robust blower Size 214 × 88 × 133	700

Special nozzles on request

## Combination possibilities

LEISTER Heater 700 with ROBUST blower at max. heating capacity			
Blower Type	Hot Air Tool 700	Hot air temperature 3 mm in front of the air outlet of the hot air tool with 3 mm hose length and blower running at full capacity without nozzle	
	Number × Wattage	Air flow l/min. at 20°C	Temperature in °C controllable
ROBUST	1 × 800	1 × 140	450
ROBUST	2 × 800	2 × 120	520

Air flow and temperature details are standard values which can be affected by external influences.

If using non-Leister blowers, compressors and accessories no guarantee can be given by us