



LEISTER Heater 40000

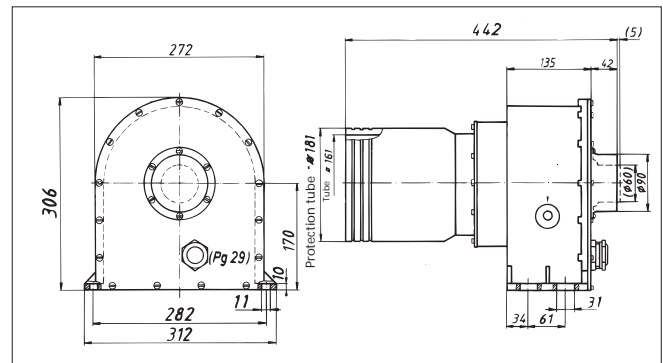
Temperature electronically controlled up to 650°C



Technical data Heater 40000

Voltage	V~	3 × 380 – 440	3 × 220 – 230
Voltage	Hz	50/60	
Power consumption	kW	29 – 39	25 – 28
Max. temperature	°C	700	650
Min. air flow	l/min.	2800 – 3700	2200
Heater tube stainless steel	mm	ø 160	
Protection tube stainless steel	mm	ø 180	
Air inlet	mm	ø 60 oder ø 90	
Air outlet	mm	ø 160	
Weight	kg	13.5	
Size (L × W × H)	mm	442 (447) × 312 × 306	
Approval mark			

Installation dimensions in mm



Combination possibilities

Combination possibilities LEISTER Heater 40000 with ASO or AIRPACK blowers at max. heating capacity			
Blower Type	Heater 40000	Hot air temperature measured 3 mm in front of the air outlet of heater with 3 m hose length and blower running at full capacity without nozzle	
	Number × Wattage	Air flow l/min. at 20°C	Temperature in °C controllable
ASO	1 × 25000	1 × 8150	200
ASO	2 × 29000	2 × 4200	500
AIRPACK	1 × 29000	1 × 3300	540

The air flow and temperature details are standard values which can be affected by external influences.

Order Number	Illustration not to scale	Accessories	Heater
107.230		Round nozzle ø 100 mm, push-fit	40000
107.231		Flange connector ø 180 mm push-fit on protection tube	40000
107.232		Air intake connection screw-on for ø 60 mm air hose	40000
107.233		Extension nozzle 400 x 100 mm push-fit	40000
107.235		Wide slot nozzle 500 x 15 mm push-fit	40000
107.243		Tubular nozzle, length 1500 mm Length of air outlet slot 1350 mm push-fit	40000

Special nozzles available on request

If using non-Leister blowers, compressors and accessories no guarantee can be given by us