

## LEISTER Triac S

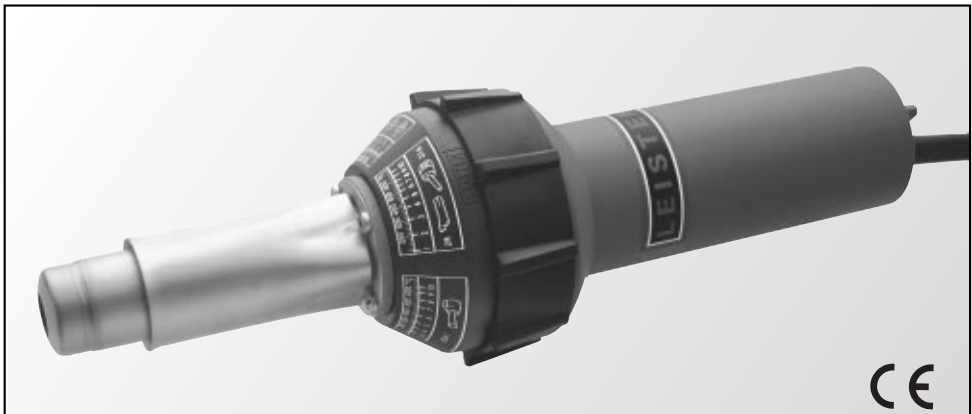
### Hot Air Blower



Read operating instructions carefully before use and keep it for further reference.

#### APPLICATION

- **Welding** of thermoplastic materials as well as single-ply flexible plastics and modified bitumen in the form of boards, tubes, profiles, lining membranes, coated materials, films, foams, tiles, and sheets. The following procedures are possible: overlap welding, welding with rod, with tape, butt welding and melt welding
- **Heating-up** for forming, bending and sealing of thermoplastic semi-finished materials and plastic granules
- **Drying** of water-damp surfaces
- **Shrinking** of heat-shrink sleeves, films, tapes, solder sleeves, pre formed and moulded parts
- **Soldering** of copper pipes, solder joints and metal foils
- **Defrosting** of frozen water pipes
- **Activating/dissolving** of solvent free adhesives and fusion adhesives
- **Igniting** of wood shavings, paper, coal or straw in furnaces





## WARNING



**Danger to life** when opening the tool as live components and connections are exposed. Unplug the tool before opening it.



Incorrect use of hot-air blowers can cause **fire and explosion hazard**, especially near combustible materials and explosive gases.



Do not touch heater tube and nozzle when they are hot. They may cause **burns**. Let the tool cool down. Do not point hot-air flow in the direction of people or animals.



## CAUTION



The **voltage rating** stated on the tool must correspond to the line/mains voltage.



For personal protection on building sites we **strongly recommend** the tool be connected to a **GFCI (Ground Fault Circuit Interrupter)** or a **RCCB (Residual Current Circuit Breaker)**.



The tool must be operated **with supervision**. Heat can reach combustible materials, which are out of sight. Store the tool indoors when not in use - out of the reach of children.



Protect tool from **damp** and **wet**.

## APPROVAL MARKS



This tool is **CCA** certified (**CENELEC Certification Agreement**).

## TECHNICAL DATA

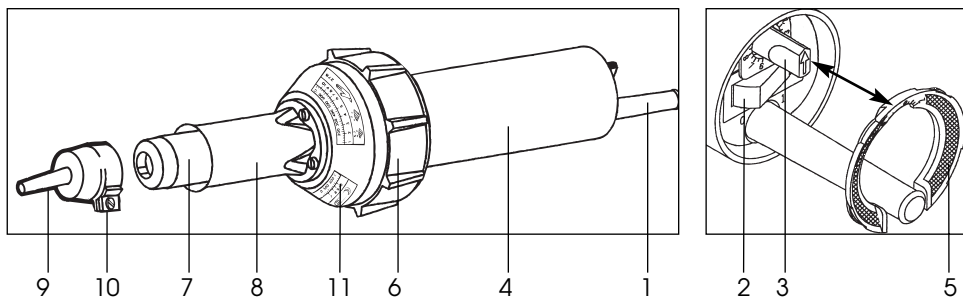
## Electrical safety: **DOUBLE INSULATED**

Voltage	V~
Power consumption	W
Temperature	°C
Air flow	l/min.
Air pressure	Pa
Noise emission level	L <sub>pA</sub> (dB)
Weight	kg
Size	mm

42	100	120	200	230	50/60 Hz
1000	1400	1600	1400	1600	
20 – 700, infinitely controlled					
max. 230					
ca. 3000 (30 mbar) after about 24 h operating time					
65					
1.3 with 3m cord					
ø 100 x 330 Handle ø 56					

Line/mains voltage can not be switched over

## Description of the tool



- |   |                          |
|---|--------------------------|
| 1. Power supply cord                        | 6. Rubber stand          |
| 2. Main switch                              | 7. Heater tube           |
| 3. Potentiometer for temperature adjustment | 8. Heat protection tube  |
| 4. Handle                                   | 9. Nozzle (not included) |
| 5. Air filter                               | 10. Screw on the clamp   |
|   | 11. Temperature scale    |

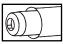
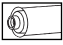
## Readiness for working

- Fit appropriate nozzle as required.
- Connect tool to the line/mains.
- Adjust hot air temperature, provisional standard values see **temperature scale (11)**, with **potentiometer (3)**.
- Switch on **main switch (2)** and heat up the tool for approximately 5 minutes.

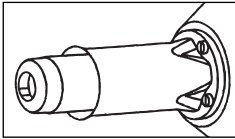
## Operation

- The LEISTER company as well as the Service Centers offer free training courses and advice in all areas of application (see page 1).
- Carry out a test weld in accordance with the material manufacturer's welding instructions and national guidelines or regulations.
- Check the test weld.
- Set welding temperature (welding parameter) as required.
- Cool down the tool after use.

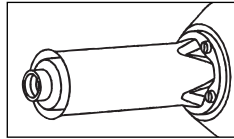
## Change of nozzles

- Before changing nozzles cool down the tool or use only pliers/wrench.
- Do not touch hot **nozzle (9)** and make sure to place it on a heat resistant surface, because of fire hazard.
-  Push the **nozzle (9)** on the **heater tube (7)** and secure the nozzle by the **screw on the clamp (10)**.
-  Screw the **nozzle (9)** and secure by wrench.
- Use LEISTER nozzles only.

## VERSIONS



Heater tube with heat protection tube for LEISTER **push-fit nozzles**



Heater tube with heat protection tube for LEISTER **screw-on nozzles**

## ACCESSORIES

- Use LEISTER accessories only.

## MAINTENANCE

- Clean polluted **air filter (5)** with a small brush or replace it.
- Clean welding nozzle with a steel brush.
- Check **mains cable (1)** and plug for electrical and mechanical damage.

## SERVICE AND REPAIRS

- The motor switches off automatically when the brushes reach their minimum length. Have the tool checked by your Service Centre. The life of the brushes is about 1600 running hours of the welding tool's motor.
- Repairs should be carried out by authorised **LEISTER Service Centres** only. They guarantee a specialised and reliable **Repair Service within 24 hours** using original spare parts according to schematics and spare parts lists.

## GUARANTEE AND LIABILITY

- Guarantee and liability are in accordance with the guarantee certificate as well as with the currently valid general business and sales conditions.
- LEISTER Process Technologies rejects any guarantee claims for tools which are not in their original condition. The tools must never be altered or changed.

**Technical data and specifications are subject to change without prior notice.**

**Your authorised Service Centre is:**