

LEISTER Labor S

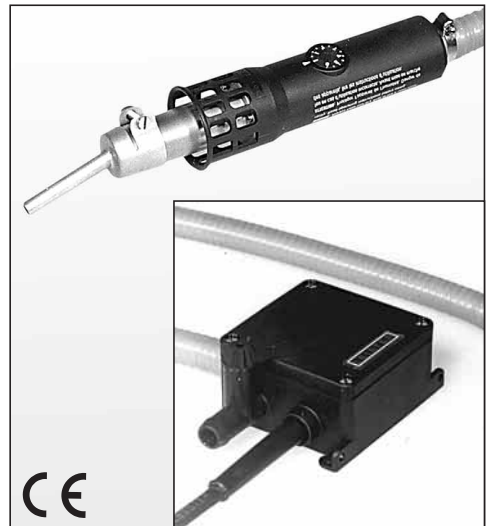
Hot-Air Pistol



Read operating instructions carefully before use and keep it for further reference.

APPLICATION

- The LEISTER Hot Air Pistol Labor S are hand tools. The version mains connection box is also suitable for building into machines, installations and appliances and is designed for continuous operation.
- **Soldering and de-soldering** of SMD and thru-hole components.
- **Welding** of thermoplastic materials and also single-ply flexible plastics and modified bitumen in the form of boards, tubes, profiles, lining membranes, coated materials, films, foams, tiles and sheets. The following procedures are possible: overlap welding, welding with rod, with tape, tack welding and melt welding.
- **Shrinking** of heat shrink sleeves, films, tapes, solder sleeves and moulded parts.
- **Activating/loosening** solvent free adhesives and melt adhesives.
- **Drying** of water-damp surfaces.





WARNING



Danger to life when opening the tool, as live components and connections are exposed. Unplug the tool before opening it.



Incorrect use of hot air blowers can cause **fire and explosion hazard**, especially near combustible materials and explosive gases.



Do not touch the element housing and nozzle when they are hot as they can cause **burns**. Let the tool cool down. Do not point hot air flow in the direction of people or animals.



CAUTION



The **voltage rating** stated on the tool must correspond to the line/mains voltage.



For personal protection on building sites we **strongly recommend** the tool be connected to a **GFCI** (Ground Fault Circuit Interrupter) or a **RCCB** (Residual Current Circuit Breaker).



The tool must be operated **with supervision**. Warmth can reach combustible materials, which are out of sight.



Protect tool from **damp** and **wet**.

APPROVAL MARKS



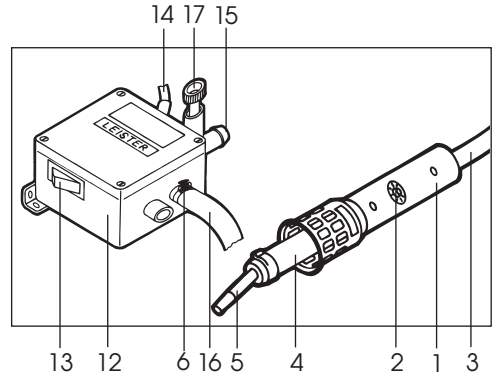
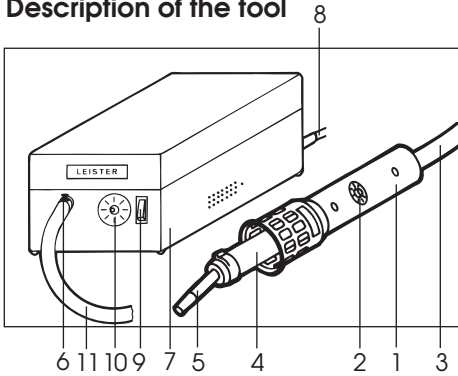
Das Gerät ist **CCA** zertifiziert
(CENELEC Certification Agreement)

Electrical safety: **DOUBLE INSULATED**

TECHNICAL DATA		Blower box	Mains connection box
Voltage	V~	100, 120, 200, 230 ★	100, 120, 200, 230 ★
Power consumption W		520, 700, 660, 900	420, 600, 580, 800
Frequency	Hz	50/60	50/60
Temperature	°C	20 – 600	20 – 600
Air flow	l/min.	170 – 350	min. 80
Air pressure	mbar	40 – 110	max. 500
Noise level	dB (A)	52 – 58	
Weight	g	150 pistol	150 pistol
Weight	kg	2,7 complete	1,1 complete
Size	mm	Ø 40 x 180 pistol	
Size	mm	250x160x125 blower box	
Size	mm	89x130x56 mains connection box	

★ mains voltage cannot be switched over

Description of the tool



Pistol

- 1. Handle
- 2. Potentiometer for temperature adjustment
- 3. Air hose
- 4. Tapered element housing
- 5. Nozzle
- 6. ESD-lead connection stud

Version with blower box

- 7. Box for blower
- 8. Cable to mains
- 9. On/off switch
- 10. Potentiometer for air flow adjustment
- 11. Air and power supply for pistol

Version with mains connection box

- 12. Mains connection box
- 13. On/off switch
- 14. Cable to mains
- 15. Air connection (input)
- 16. Air and power supply for pistol
- 17. Air flow reduction screw

Operating Condition

- As required, push-fit appropriate **nozzle (5)**.
- Connect tool with ESD-Version at the **ESD-lead connection stud (6)** to ground.
- Connect tool to the mains.
- **Switch on (9)** air supply.
- The air flow is steplessly adjustable by use of the **potentiometer (10)**.
- The hot air temperature is steplessly adjustable by use of the red **potentiometer (2)**.
- Allow tool to warm up for about 5 minutes

Operating Condition

- Connect **mains connection box (12)** to the air supply. Use LEISTER blower or compressed air at reduced pressure.
- As required, push fit appropriate **nozzle (5)**.
- The air flow is steplessly adjustable by use of the **reduction screw (17)**.
- Connect tool with ESD-version at the **ESD-lead connection stud (6)** to ground.
- Connect tool to the mains.
- **Switch on (13)** tool.
- The hot air temperature is steplessly adjustable by use of red **potentiometer (2)**.
- Allow tool to warm up for about 5 minutes.

Operation

- The LEISTER Company, as well as the Service Centres, offer free training courses in all areas of application (see page 1).

Change of nozzles

- Before changing nozzles, allow the tool to cool down, or use only combination pliers.
- Do not touch hot **nozzle (5)** and make sure to put it only on a heat resistant surface, because of the **fire hazard**.
- The nozzles are easily pushed onto the tapered **element housing (8)** and are then secured by fastening the screw on the clamp.
- Only LEISTER nozzles should be used.

ACCESSORIES

- Use only LEISTER accessories.

MAINTENANCE

- Clean the **welding nozzle (5)** with a wire brush.

SERVICE AND REPAIRS

- The carbon brushes of the welding tool's motor should be checked after about 700 hours running time by your Service Centre.
- Repairs should only be carried out by authorised **LEISTER Service Centres**. They guarantee a specialised and reliable **Repair Service within 24 hours** using original spare parts lists.

GUARANTEE AND LIABILITY

- Guarantee and liability are in accordance with the guarantee certificate as well as with the currently valid general business and sales conditions.
- LEISTER Process Technologies rejects any guarantee claims for tools which are not in their original condition. The tools must never be altered or changed.

Technical data and specifications are subject to change without prior notice.

Your authorised Service Centre is: